



Use & Care

G U I D E

Self-Cleaning Gas Range

A Note to You	2
Range Safety	3
Parts and Features	5
Using Your Range	6
Using the Self-Cleaning Cycle	24
Caring for Your Range	28
Troubleshooting	34
Requesting Assistance or Service	36
Index	39
Warranty	40

1-800-461-5681

Call our Consumer Assistance Center with questions or comments.

TO THE INSTALLER: PLEASE LEAVE THIS INSTRUCTION BOOK WITH THE UNIT.

TO THE CONSUMER: PLEASE READ AND KEEP THIS BOOK FOR FUTURE REFERENCE.

Super Capacity 465 with ACCUBAKE® System

4.65 Cubic Foot (0.132 m³) Oven

MODEL YGS395LEG

8273165

www.whirlpool.com/canada

A NOTE TO YOU

Thank you for buying a WHIRLPOOL GOLD™ appliance.

The Whirlpool Brand is committed to designing quality products that consistently perform for you to make your life easier. To ensure that you enjoy years of trouble-free operation, we developed this Use and Care Guide. It is full of valuable information about how to operate and maintain your appliance properly. Please read it carefully.

Also, please complete and mail the **Product Registration Card** provided with your appliance. The card helps us notify you about any new information on your appliance.

Please record your model's information.

Whenever you call to request service for your appliance, you need to know your complete model number and serial number. You can find this information on the model and serial number label/plate (see diagram in the "Parts and Features" section).

Please also record the purchase date of your appliance and your dealer's name, address, and telephone number.

Model Number _____

Serial Number _____

Purchase Date _____

Dealer Name _____

Dealer Address _____

Dealer Phone _____

Keep this book and the sales slip together in a safe place for future reference. It is important for you to save your sales receipt showing the date of purchase. Proof of purchase will assure you of in-warranty service.

Our Consumer Assistance Center number is toll free.

1-800-461-5681

To find detailed product information, the location of the nearest Whirlpool dealer or designated servicer, to purchase an accessory item, or register your appliance on-line, please visit our Web site at www.whirlpool.com/canada

WARNING: If the information in this manual is not followed exactly, a fire or explosion may result causing property damage, personal injury or death.

- Do not store or use gasoline or other flammable vapors and liquids in the vicinity of this or any other appliance.
- **WHAT TO DO IF YOU SMELL GAS**
 - Do not try to light any appliance.
 - Do not touch any electrical switch.
 - Do not use any phone in your building.
 - Immediately call your gas supplier from a neighbor's phone. Follow the gas supplier's instructions.
 - If you cannot reach your gas supplier, call the fire department.
- Installation and service must be performed by a qualified installer, service agency or the gas supplier.

RANGE SAFETY

Your safety and the safety of others is very important.

We have provided many important safety messages in this manual and on your appliance. Always read and obey all safety messages.



This is the safety alert symbol.

This symbol alerts you to hazards that can kill or hurt you and others.

All safety messages will be preceded by the safety alert symbol and the word "DANGER" or "WARNING." These words mean:

⚠ DANGER

You will be killed or seriously injured if you don't follow instructions.

⚠ WARNING

You can be killed or seriously injured if you don't follow instructions.

All safety messages will identify the hazard, tell you how to reduce the chance of injury, and tell you what can happen if the instructions are not followed.

THE ANTI-TIP BRACKET

The range will not tip during normal use. However, the range can tip if you apply too much force or weight to the open door without the anti-tip bracket fastened down properly.



⚠ WARNING

Tip Over Hazard

A child or adult can tip the range and be killed.

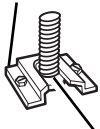
Connect anti-tip bracket to rear range foot.

Reconnect the anti-tip bracket, if the range is moved.

See the installation instructions for details.

Failure to follow these instructions can result in death or serious burns to children and adults.

Anti-Tip Bracket



Range Foot

Making sure the anti-tip bracket is installed:

- Slide range forward.
- Look for the anti-tip bracket securely attached to floor.
- Slide range back so rear range foot is under anti-tip bracket.

continued on next page

IMPORTANT SAFETY INSTRUCTIONS

WARNING: To reduce the risk of fire, electrical shock, injury to persons, or damage when using the range, follow basic precautions, including the following:

- **WARNING** – TO REDUCE THE RISK OF TIPPING OF THE RANGE, THE RANGE MUST BE SECURED BY PROPERLY INSTALLED ANTI-TIP DEVICES. TO CHECK IF THE DEVICES ARE INSTALLED PROPERLY, SLIDE RANGE FORWARD, LOOK FOR ANTI-TIP BRACKET SECURELY ATTACHED TO FLOOR, AND SLIDE RANGE BACK SO REAR RANGE FOOT IS UNDER ANTI-TIP BRACKET.
- **CAUTION** – Do not store items of interest to children in cabinets above a range or on the backguard of a range – children climbing on the range to reach items could be seriously injured.
- **Proper Installation** – The range, when installed, must be electrically grounded in accordance with local codes or, in the absence of local codes, with the *Canadian Electrical Code, Part 1, c22.1-98* or latest revision. Be sure the range is properly installed and grounded by a qualified technician.
- This range is equipped with a three-prong grounding plug for your protection against shock hazard and should be plugged directly into a properly grounded receptacle. Do not cut or remove the grounding prong from this plug.

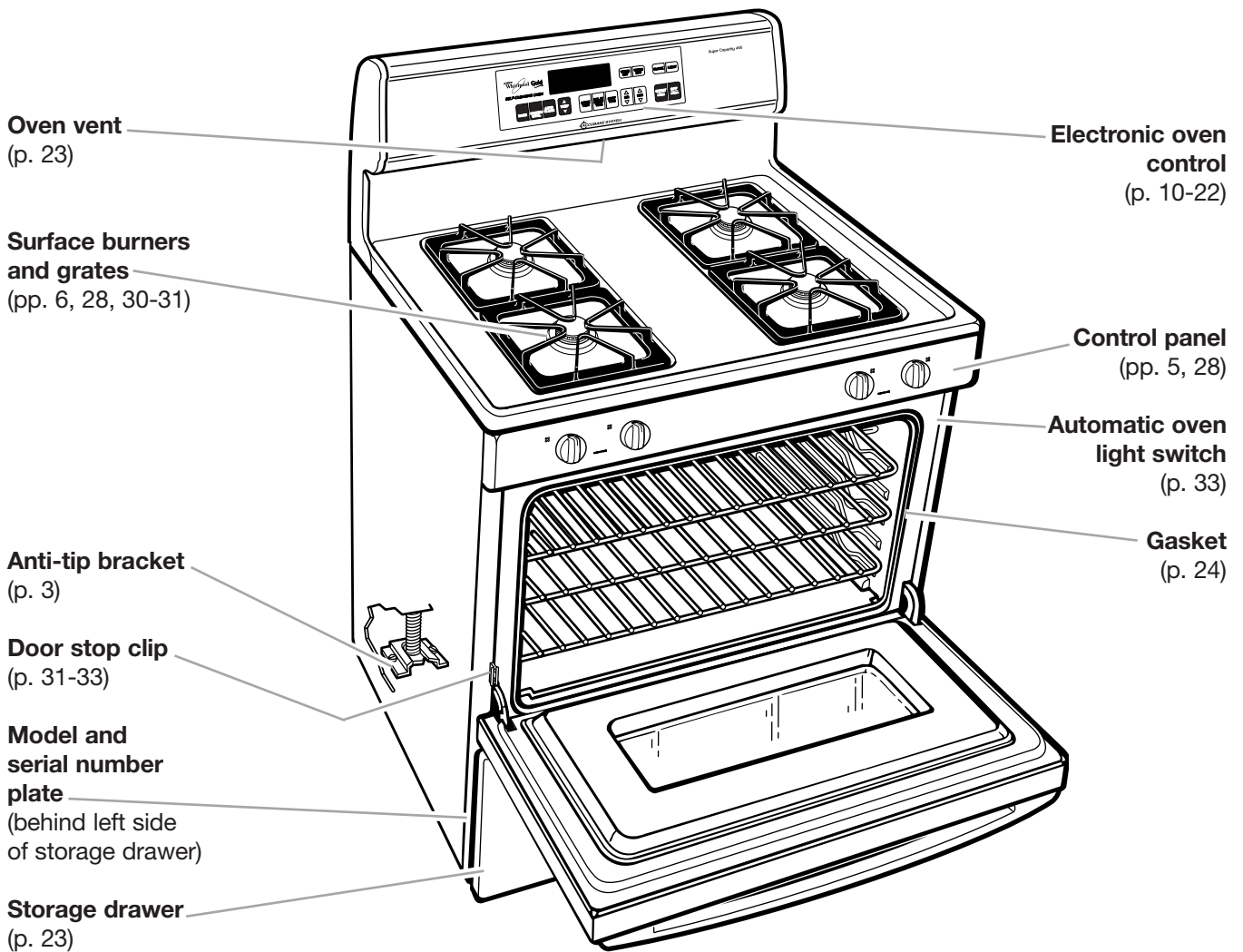
- Disconnect the electrical supply before servicing the appliance.
- Never Use the Range for Warming or Heating the Room.
- Injuries may result from the misuse of appliance doors or drawers such as stepping, leaning, or sitting on the doors or drawers.
- Maintenance – Keep range area clear and free from combustible materials, gasoline, and other flammable vapors and liquids.
- Storage in or on the Range – Flammable materials should not be stored in an oven or near surface units.
- Top burner flame size should be adjusted so it does not extend beyond the edge of the cooking utensil.

For self-cleaning ranges –

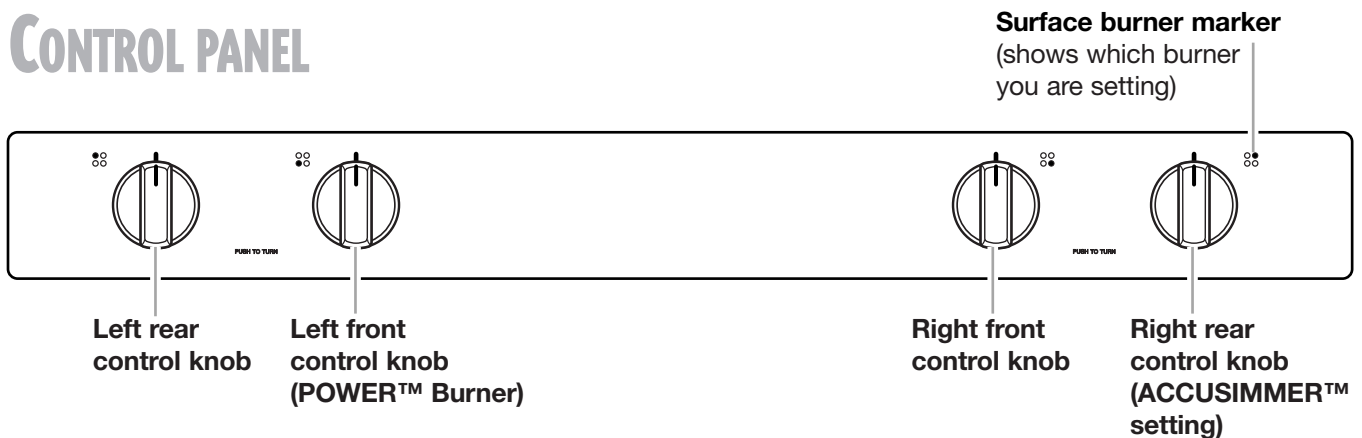
- Before Self-Cleaning the Oven – Remove broiler pan and other utensils. Wipe off all excessive spillage before initiating the cleaning cycle.

– SAVE THESE INSTRUCTIONS –

PARTS AND FEATURES



CONTROL PANEL



USING YOUR RANGE

USING THE SURFACE BURNERS

⚠ WARNING



Fire Hazard

Do not let the burner flame extend beyond the edge of the pan.

Turn off all controls when not cooking.

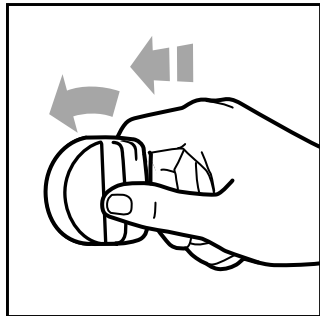
Failure to follow these instructions can result in death or fire.

Using the control knobs

Your range comes with electric igniters. Electric igniters automatically light the burners each time you turn the control knobs to LIGHT.

- Place a filled pan on the burner grate before turning on the surface burner. Do not operate a burner for extended periods of time without having cookware on the grate.

- Push in the control knob and turn it **counter-**



clockwise to the LIGHT position. The clicking sound is the ignitor sparking. Make sure the burner has lit.

- To stop the clicking sound after the burner lights, turn the control knob to the cook setting you want. You can set the control knob

anywhere between HIGH and LOW.

NOTE: All four electric igniters will click at the same time. However, the burner with the control knob turned to LIGHT is the one that will ignite.

REMEMBER: When range is in use or during the Self-Cleaning cycle, the entire cooktop area may become hot.

Burner heat settings

Use the following chart as a guide.

SETTING	RECOMMENDED USE
LIGHT	● To light the burner.
POWER™ Burner (left front burner)	● To provide highest heat setting.
HIGH	● To start food cooking. ● To bring liquid to a boil.
Mid-range (between HIGH and LOW)	● To hold a boil. ● To fry chicken or pancakes. ● To cook gravy, pudding, and icing. ● To cook large amounts of vegetables.
LOW	● To keep food warm. ● To simmer.
ACCUSIMMER™ setting (right rear burner)	● To provide lowest simmer/heat setting. ● To melt chocolate or butter.

NOTE: Do not leave empty cookware, or cookware which has boiled dry, on a hot surface burner. The cookware could overheat, causing damage to the cookware or cooking product.

Using POWER Burner

POWER Burner is an adjustable setting for the left front burner which provides an ultra-high heat setting. It can be used to rapidly bring liquid to a boil and to cook large quantities of food.

Using ACCUSIMMER

ACCUSIMMER is an adjustable setting for the right rear burner. It allows more accurate simmer control at the lowest setting.

Easy ways to save energy

- To help shorten your cooking time, use the least amount of liquid possible.
- Preheat your pots and pans only when recommended and for the shortest time possible.
- Start your food on a higher heat setting, then turn the control to a lower setting to finish cooking.

USING THE SURFACE BURNERS (CONT.)

In case of a prolonged power failure

You can manually light surface burners. Hold a lit match near a burner and turn the control knob to the LIGHT position. After the burner lights, turn the control knob to the setting you want.

Home canning information

The large diameter of most water-bath or pressure canners combined with high heat settings for long periods of time can cause damage to the cooktop.

To protect your range:

- For best results, use a canner which can be centered over the surface burner.
- Do not place your canner on 2 surface burners at the same time.
- Start with hot water. This reduces the time the control is set on high. Reduce the heat setting to the lowest position needed to maintain a boil or required pressure levels in a pressure canner.

- Refer to your canner manual for specific instructions.

For up-to-date information on canning, contact Agriculture Canada or companies who manufacture home canning products.

Using the right cookware makes a big difference

- The pan should have a flat bottom, straight sides, and a well-fitting lid.
- Choose medium to heavy gauge (thickness) cookware.
- The pan material (metal or glass) affects how quickly and evenly the pan heats.
- When using glass or ceramic cookware, check to make sure it is suitable for use on surface burners.
- To avoid tipping, make sure pots and pans are centered on the grates.

CHARACTERISTICS OF COOKWARE MATERIALS

The pan material affects how fast heat transfers from the surface cooking area through the pan material and how evenly heat spreads over the pan bottom. Choose pans that provide the best cooking results.

Aluminum	<ul style="list-style-type: none"> • Heats quickly and evenly. • Use for all types of cooking. • Medium or heavy thickness is best for most cooking. • Used as a core or base in cookware to provide even heating.
Cast iron	<ul style="list-style-type: none"> • Heats slowly and evenly. • Good for browning and frying. • Maintains heat for slow cooking. • Can be coated with porcelain enamel.
Ceramic or ceramic glass	<ul style="list-style-type: none"> • Heats slowly and unevenly. • Use on low to medium settings. • Follow manufacturer's instructions.
Copper	<ul style="list-style-type: none"> • Heats very quickly and evenly. • Used as a core or base in cookware to provide even heating.
Earthenware	<ul style="list-style-type: none"> • Can be used for cooktop cooking if recommended by the manufacturer. • Use on low settings.
Porcelain enamel-on-steel or enamel-on-cast iron	<ul style="list-style-type: none"> • See cast iron and stainless steel.
Stainless steel	<ul style="list-style-type: none"> • Heats quickly but unevenly. • A core or base of aluminum or copper on the cookware provides even heating. • Can be coated with porcelain enamel.

USING THE OVEN

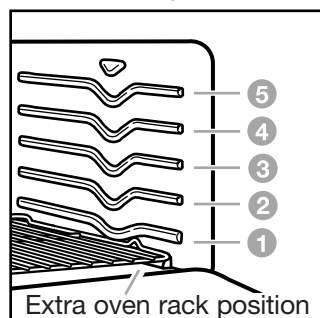
Positioning racks and pans

Place the oven racks where you need them before turning on the oven.

- To move a rack, pull it out to the stop position, raise the front edge and lift it out.
- Be sure the rack(s) is level.
- Use pot holders or oven mitts to protect your hands if rack(s) must be moved while the oven is hot.
- For best performance, cook on one rack. Place the rack so the top of the food will be centered in the oven.
- For best results allow 2 inches (5 cm) of space around each pan and between pans and oven walls.

Extra oven rack position (roasting rack)

Use this rack position when roasting food too large to be placed on the first rack position.



For proper roasting, follow these guidelines:

- To avoid spillage, remove food before pulling out the rack.
- Tilt the rack up at the front before pulling it over the door.

- Use an adequate amount of liquid in the pan (meat juices or water) so your food does not get overdone.

Where to place pans:

WHEN YOU HAVE	PLACE
1 pan	In center of the oven rack.
2 pans	Side by side or slightly staggered.
3 or 4 pans	In opposite corners on each oven rack. Stagger pans so no pan is directly over another.

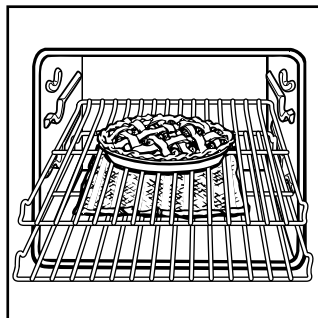
Rack placement for specific foods:

FOOD	RACK POSITION
Frozen pies, large roasts, turkeys, angel food cakes	1st or 2nd rack guide from bottom
Bundt cakes, most quick breads, yeast breads, casseroles, meats	2nd rack guide from bottom
Cookies, biscuits, muffins, cakes, nonfrozen pies	2nd or 3rd rack guide from bottom

For information on where to place your rack when broiling, see “Broiling guidelines” later in this section.

USING ALUMINUM FOIL

- **Do not line the oven bottom with any type of foil, liners, or cookware. Permanent damage will occur to the oven bottom finish.**
- **Do not block the oven bottom vents.**
- **Do not cover** the entire rack with aluminum foil.
- **Place tent-shaped foil** loosely over meat or poultry to slow down surface browning for long term roasting. Remove foil for the last 30 minutes.
- **Use narrow strips** of foil to shield piecrust edges if browning too quickly.



Doing so will reduce air circulation and overall oven performance.

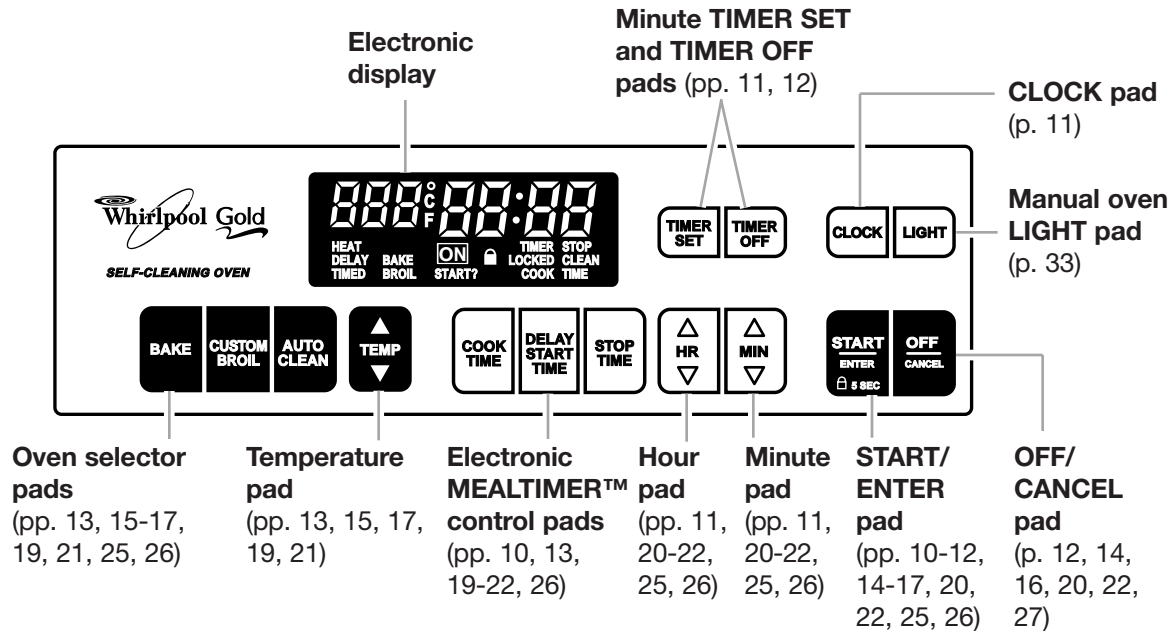
- **To catch spillovers** from pies or casseroles place foil on the oven rack below. Foil should be turned up at edges and be at least 1 inch (2.5 cm) larger than dish.

BAKEWARE CHOICES

Baking performance is affected by the type of bakeware used. Use the bakeware size recommended in the recipe.

BAKEWARE TYPE	BEST USED FOR	GUIDELINES
Light colored aluminum	<ul style="list-style-type: none"> • Light golden crusts • Even browning 	<ul style="list-style-type: none"> • Use temperature and time recommended in recipe.
Dark aluminum and other bakeware with dark, dull, and/or non-stick finish	<ul style="list-style-type: none"> • Brown, crisp crusts 	<ul style="list-style-type: none"> • May reduce baking temperature 25°F (14°C). • Use suggested baking time. • Use temperature and time recommended in recipe for pies, breads, and casseroles. • Place rack in center of oven.
Ovenproof glassware, ceramic glass, or ceramic	<ul style="list-style-type: none"> • Brown, crisp crusts 	<ul style="list-style-type: none"> • May reduce baking temperature 25°F (14°C).
Insulated cookie sheets or baking pans	<ul style="list-style-type: none"> • Little or no bottom browning 	<ul style="list-style-type: none"> • Place in the bottom third of oven. • May need to increase baking time.
Stainless steel	<ul style="list-style-type: none"> • Light, golden crusts • Uneven browning 	<ul style="list-style-type: none"> • May need to increase baking time.
Stoneware	<ul style="list-style-type: none"> • Crisp crusts 	<ul style="list-style-type: none"> • Follow manufacturer's instructions.

THE ELECTRONIC OVEN CONTROL



Display/clock

- When you first plug in the range, everything on the display will light up for 1 to 2 seconds, then a time of day and “PF” will appear on the temperature display. Press OFF/CANCEL to clear “PF” from the display. If, after you set the clock (see “Setting the clock” later in this section), “PF” again appears on the display, your electricity was off for a while. Reset the clock, if needed.
- When you are not using the oven, the control is an accurate clock.
- When you are using the oven or minute timer, the display will show times, temperature settings, and what command pads have been pressed.
- When showing the time of day, the display will show the hour and minutes.
- When you are using the minute timer, the display will show minutes and seconds in the following sequence:
 - For settings from 1-59 minutes, the display will count down each second.
 - For settings one hour or over, the display will count down each minute.
- When you are using cook time and/or stop time, the display will show hours and minutes or minutes and seconds.



Using the control lock



The control lock lets you shut down the control panel command pads. The control lock comes in handy when you want to prevent others from using the oven.

NOTES:

- You can only use the control lock when the oven is not in use or the control has not been set.
- Set the control lock when cleaning the control panel to prevent yourself from accidentally turning on the oven.
- The control lock will stay on even after a power failure.


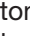
To lock the control panel:

Press and hold START/ENTER for 5 seconds.

 You will hear a single tone and “Loc” and  will appear on the temperature display. When the control is locked, “START?” will appear on the display and 3 tones will sound if you press any command pad other than clock or timer set.

To unlock the control panel:

Press and hold START/ENTER for 5 seconds.

 You will hear 3 tones followed by a single tone. “Loc” and  will disappear from the temperature display.

SETTING THE CLOCK

1. Press CLOCK.

PRESS



YOU SEE



2. Set the time.

Press the “up” (▲) or “down” (▼) pad(s) until the correct time shows on the display.

PRESS



YOU SEE

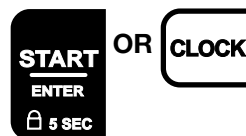


(example for 5:30)

3. Start the clock.

NOTE: If you do not want the clock time displayed, press and hold CLOCK for 5 seconds. To display the clock time again, press and hold CLOCK for 5 seconds. You should not have to reset the time.

PRESS



YOU SEE



USING THE ELECTRONIC MINUTE TIMER

The minute timer does not start or stop the oven. It works like a kitchen timer. It can be set in hours and minutes up to 12 hours, 59 minutes. The minute timer will display minutes and seconds for settings under 1 hour. You will hear four 1-second tones when the set time is up.

1. Press TIMER SET.

PRESS



YOU SEE



2. Set the time.

Press the “up” (▲) or “down” (▼) pad(s) until the correct time shows on the display.

PRESS



YOU SEE



(example for 10 minutes)

continued on next page

USING THE ELECTRONIC MINUTE TIMER (CONT.)

3. Start the minute timer.

The minute timer will begin counting down immediately after the timer is started.

PRESS



YOU SEE



(display counts down)

When the time is up:

You will hear four 1-second tones, then four 1-second reminder tones every minute until you press the timer off pad.

YOU SEE



NOTE: To remove the reminder tones, press and hold **TIMER SET** for 5 seconds. To bring back the tones, follow the same step. You will see “off” when the tones are turned off and “on” when they are turned on.

4. Turn off the minute timer.

PRESS



YOU SEE



(time of day)

To cancel the minute timer:

Press **TIMER OFF**.

PRESS



YOU SEE



(time of day)

STARTING/CANCELING A FUNCTION

After setting a function, you must press **START/ENTER** to start the function. If you do not press **START/ENTER** within 5 seconds of setting, “START?” will show on the display as a reminder.



OFF/CANCEL will cancel any function except the clock, timer, or control lock. When you press **OFF/CANCEL**, the display will show the time of day or, if the minute timer is also being used, the time remaining.



TONES

Tones tell you if a function is entered correctly or not. They also tell you when a cycle is completed.

To shut off all tones except the end-of-timer and error tones:

Press and hold STOP TIME for 5 seconds. A short tone will sound to tell you the tones have been changed. Repeat to turn the tones back on. You will see “oFF” for 3 seconds when the tones are turned off and “on” for 3 seconds when they are turned on.



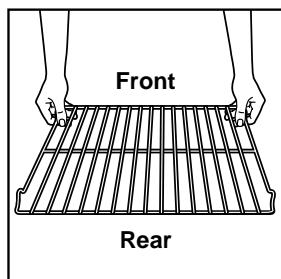
To choose between high and low volume tones:

Press and hold DELAY START TIME for 5 seconds. A short tone will sound to tell you the tones have been changed. Either “HI” or “LO” will appear on the time display for 3 seconds to show the volume you chose.



BAKING/ROASTING

- Place the racks where you need them in the oven. For more information, see “Positioning racks” under “Using the Oven”, earlier in this section.



Your oven is designed with the ACCUBAKE® temperature management system to constantly monitor oven temperature. The burner element will cycle, as needed, to maintain the desired temperature. This feature is automatically activated when the oven is in operation.

IMPORTANT: Do not try to light the oven burner during a power failure. Never place food or cookware directly on the oven door or the oven bottom. When using the oven for the first time, it is necessary to light the surface burners first to purge air from the gas lines.

- Choose the bake setting.

PRESS



YOU SEE



- Set the temperature (optional).

Do this step if you want to set a temperature other than 350°F (177°C). Press ▲ to raise the temperature or ▼ to lower the temperature in 5°F (3°C) amounts. Use these pads until the desired temperature shows on the small display.

PRESS

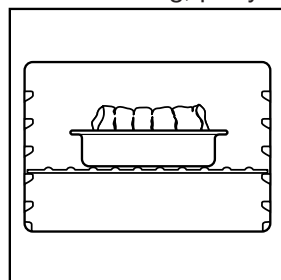


YOU SEE



(example for bake at 190°C [375°F])

- When roasting, put your food in the oven. You do not have to preheat the oven when roasting, unless your recipe recommends it.



Roasting meats and poultry

- For even cooking, place the meat on a rack in a shallow pan. This keeps the meat out of the drippings and allows the heat to circulate better.
- Use a meat thermometer for the most accurate doneness. Insert it so the tip is in the center of the largest muscle or thickest portion of the meat or poultry. Make sure the thermometer is not touching bone, fat, or the bottom of the pan.

continued on next page

BAKING/ROASTING (CONT.)

5. Press START/ENTER.

A preheat conditioning time counts down the approximate preheat time after the oven temperature has been set and the START/ENTER pad has been pressed. The oven control automatically sets preheating times based on the oven temperature you select:

- For 245°F (118°C) and less, the preheating time is 4 minutes.
- For 250°F-445°F (121°C-229°C), the preheating time is 10 minutes.
- For above 450°F (232°C), the preheating time is 15 minutes.

As the preheat conditioning ends, the selected oven temperature replaces “PrE” on the display and the time of day reappears. You will hear a 1-second tone, indicating the oven is ready to use.

The ACCUBAKE® system electronically regulates the preheat time and temperature to maintain a precise temperature range for the best cooking results. The preheat and set temperatures may be different at the end of the countdown. This is normal.

NOTES:

- When the oven temperature is greater than 170°F (77°C), no preheating time will be shown on the display.
- You can change the temperature setting any time after pressing START/ENTER. You do not have to press START/ENTER again.
- The preheating time will not change if you reset the temperature before the countdown time ends.
- If you are baking/roasting while the minute timer is counting down, you can see the set baking/roasting temperature for 5 seconds by pressing BAKE.

PRESS



YOU SEE

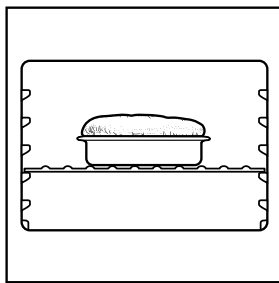


(example for set temperature of 350°F [177°C])

YOU SEE



6. When baking, put your food in the oven after the preheat conditioning time ends. During baking/roasting, the oven burner will turn on and off to keep the oven temperature at the setting.



Saving energy

- To avoid loss of heat, open the oven door as little as possible.
- Use a timer to keep track of cooking time.
- Plan your meals for the most efficient use of the oven by cooking more than one food at a time, or baking while the oven is still hot after cooking a meal.

7. After cooking, turn off the oven.

PRESS



YOU SEE



(time of day)

ADJUSTING THE OVEN TEMPERATURE CONTROL

Although your new oven is properly adjusted to provide accurate temperatures, it may cook faster or slower than your old oven.

If you are not satisfied with the baking/roasting results, you can change the offset temperature by following the steps below.

NOTE: DO NOT measure the oven temperature with a thermometer. Opening the oven door will lower the oven temperature and give you an incorrect reading. Also, the thermometer temperature reading will change as your oven cycles.

1. Press and hold BAKE for 5 seconds.

The display will show the current offset temperature, for example “0,” if you have not already adjusted the temperature.

PRESS



YOU SEE



(factory setting of “0”)

2. Set the new offset temperature.

Press ▲ to raise the temperature or ▼ to lower the temperature in 10°F (6°C) amounts. You can set the temperature change to as low as -30°F (-17°C) or as high as +30°F (+17°C). A minus (-) sign will appear before the number when decreasing the temperature setting. The minus sign shows the oven will be cooler by the displayed amount. There is no sign in front of the number when increasing the temperature setting.

PRESS



YOU SEE



(example when making oven 10°F [6°C] warmer)

3. Enter the adjustment.

NOTE: You must press START/ENTER or your changes will not be made.

PRESS



YOU SEE



(time of day)

To display temperatures in °C instead of °F:

Press and hold the CUSTOM BROIL pad for 5 seconds.



You will hear a short tone and the temperatures displayed will switch to °C. To switch back to °F, repeat the instructions above. Whenever you switch, “°C” or “°F” will be displayed for 5 seconds.

How to determine the amount of adjustment needed

The chart at the right tells you how much to adjust the offset temperature to get the cooking results you want. You can figure out cooking results by the amount of browning, moistness, and rising times for baked foods.

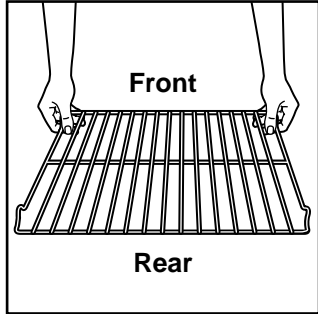
TO COOK FOOD ...	ADJUST BY THIS NUMBER OF DEGREES
A little more	+10°F (+6°C)
Moderately more	+20°F (+11°C)
Much more	+30°F (+17°C)
A little less	-10°F (-6°C)
Moderately less	-20°F (-11°C)
Much less	-30°F (-17°C)

BROILING

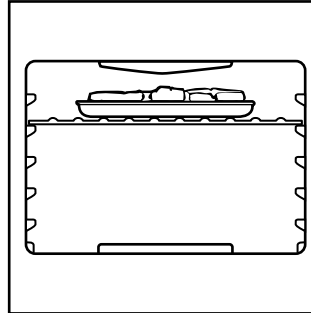
NOTE:

- Do not preheat when broiling unless your recipe recommends it.

1. Place the rack where you need it in the oven. See “Broiling guidelines” later in this section.



2. Put your food on the broiler pan and place the pan in the center of the oven rack.



3. Close the door.

4. Press CUSTOM BROIL.

PRESS



YOU SEE



5. Start the oven.

You can change the temperature setting any time before or after pressing START/ENTER. To change the setting, see “To custom broil at a lower temperature” later in this section. After changing the setting, you do not have to press START/ENTER again.

PRESS



YOU SEE



6. After broiling, turn off the oven.

PRESS



YOU SEE



(time of day)

BROILING (CONT.)

To custom broil at a lower temperature:

- If your food is cooking too fast, press the ▼ TEMP pad until 325°F (163°C) shows on the small display.

PRESS



YOU SEE



(example shows broil at 325°F [163°C])

- If you want your food to broil slower from the start, press CUSTOM BROIL and press the ▼ TEMP pad so a temperature between 300°F and 525°F (149°C and 274°C) shows on the small display. Press START/ENTER.

PRESS



YOU SEE



(example shows broil at 400°F [204°C])

Lower temperature settings let the broil heating element cycle and slow cooking results. The lower the temperature, the slower the cooking.

NOTE: Thicker cuts and unevenly shaped pieces of meat, fish and poultry may cook better if you use lower broiling temperatures.



YOU SEE



Broiling guidelines

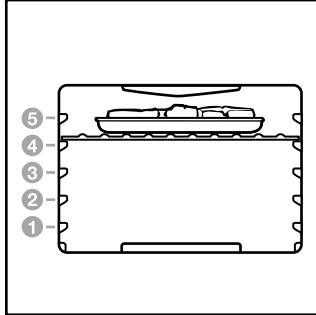
- Use only the broiler pan and grid provided. They are designed to drain extra juices from the cooking surface. This drainage helps prevent spatter and smoke.
- To make sure the juices drain well, do not cover the grid with foil.
- Trim excess fat to reduce spattering. Slit the fat on the edges to prevent curling.
- Use tongs to turn meat to avoid losing juices.
- Pull out oven rack to stop position before turning or removing food.
- After broiling, remove the pan from the oven when removing the food. Drippings will bake on the pan if left in the heated oven, making cleaning more difficult.
- For easier cleaning, line the bottom of the pan with aluminum foil. Clean the pan and grid as soon as possible after each use.

continued on next page

BROILING (CONT.)

Broiling guidelines (cont.)

Recommended rack positions are numbered from the bottom (1) to the top (5). For best results, place food 3 inches (7 cm) or more from the broil burner and turn meat after approximately $\frac{2}{3}$ of the broiling time. Turn chicken pieces after approximately half of the broiling time. Very thin cuts, such as fish fillets,



may not need to be turned at all. Lobster tails are not turned.

MEAT	RACK POSITION	APPROXIMATE TIME (MINUTES)	
		SIDE 1	SIDE 2
Steak, 1 inch (2.5 cm) thick medium rare medium well done	4	14-15 15-16 18-19	7-8 8-9 9-10
Ground Meat Patties, $\frac{3}{4}$ inch (1.8 cm) thick, well done	4	13-14	6-7
Pork Chops, 1 inch (2.5 cm) thick	4	21-22	10-11
Ham Slice, $\frac{1}{2}$ inch (1.25 cm) thick precooked	4	8-10	4-5
Frankfurters	4	6-7	3-4
Chicken bone-in pieces boneless breasts	3 4	18-20 12-16	18-20 11-16
Fish fillets $\frac{1}{4}$ - $\frac{1}{2}$ inch (0.6-1.3 cm) thick	4	8-10	4-5

Times are guidelines only and may need to be adjusted for individual tastes. Very thin cuts, such as fish filets, may not need to be turned.

USING THE ELECTRONIC MEALTIMER™ CONTROL

The electronic MEALTIMER control will turn the oven on and off at times you set, even when you are not around.

Delayed time baking/roasting is ideal for foods that do not need a preheated oven, like meats and casseroles. **Do not use delayed time cooking for cakes, cookies, etc. – they will not rise properly.**

Before using the electronic MEALTIMER control, make sure the clock is set to the correct time of day. (See the “Setting the clock” section.)

⚠ WARNING

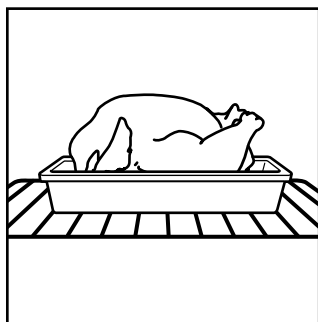
Food Poisoning Hazard

Do not let food sit in oven more than one hour before or after cooking.

Doing so can result in food poisoning or sickness.

To start baking/roasting now and stop automatically:

1. Place the oven rack(s) where you need them and



put your food in the oven. To place your racks correctly, see “Positioning racks and pans” under “Using the Oven” earlier in this section.

2. Choose the bake setting.

PRESS



YOU SEE



3. Set the temperature (optional).

Do this step if you want to set a temperature other than 350°F (177°C). Press ▲ to raise the temperature or ▼ to lower the temperature in 5°F (3°C) amounts. Use these pads until the temperature you want shows on the small display.

PRESS



YOU SEE



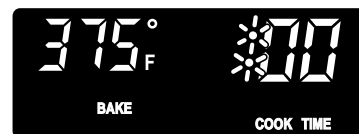
(example shows bake at 375°F [191°C])

4. Press COOK TIME.

PRESS



YOU SEE



USING THE ELECTRONIC MEALTIMER™ CONTROL (CONT.)

5. Set the cook time.

Press the “up” (▲) or “down” (▼) pad(s) until the correct time shows on the display.

PRESS



YOU SEE



(example shows 30-minute baking/roasting time)

6. Start the oven.

NOTES:

- You can change the temperature or time settings any time after pressing START/ENTER by repeating Steps 3 or 5. You do not have to press START/ENTER.
- The display will count down the baking/roasting time in hours and minutes (if cook time is more than 1 hour) or in minutes and seconds (if cook time is less than 1 hour).

PRESS



YOU SEE



(display counts down cook time)

7. When baking/roasting is done:

The oven will turn off by itself and beep 4 times. You will also hear four 1-second tones every minute until you press OFF/CANCEL.

NOTE: To remove the reminder tones, press and hold the COOK TIME pad for 5 seconds. To bring back the tones, repeat this step. You will see “off” when the tones are turned off and “on” when they are turned on.

YOU SEE



8. Turn off the oven.

NOTE: You can do this step any time to cancel the MEALTIMER control setting.

PRESS



YOU SEE

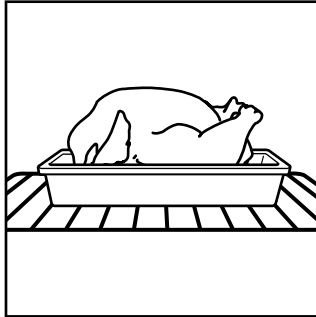


(time of day)

USING THE ELECTRONIC MEALTIMER™ CONTROL (CONT.)

To delay start and stop automatically:

1. Place the oven rack(s) where you need them and



put your food in the oven. To place your racks correctly, see “Positioning racks” under “Using the Oven”, earlier in this section.

2. Choose the bake setting.

PRESS



YOU SEE



3. Set the temperature (optional).

Do this step if you want to set a temperature other than 350°F (177°C). Press ▲ to raise the temperature or ▼ to lower the temperature in 5°F (3°C) amounts. Use these pads until the temperature you want shows on the small display.

PRESS



YOU SEE



(example shows bake at 375°F [191°C])

4. Press COOK TIME.

PRESS



YOU SEE



5. Set the cook time.

Press the “up” (▲) or “down” (▼) pad(s) until the correct time shows on the display.

PRESS



YOU SEE



(example shows 30-minute baking/roasting time)

6. Press DELAY START TIME.

PRESS



YOU SEE



USING THE ELECTRONIC MEALTIMER™ CONTROL (CONT.)

7. Set the start time.

Press the “up” (▲) or “down” (▼) pad(s) until the correct time shows on the display.

The example at the right shows a chosen start time of 1:00. The oven will shut off by itself at 1:30 (the set start time plus the set cook time).

PRESS



YOU SEE



(example shows 1:00 start time)

8. Press START/ENTER.

NOTE: You can change the temperature or time settings any time after pressing START/ENTER by repeating Steps 2 through 7.

PRESS



YOU SEE



9. When the start time is reached:

You will hear a 1-second tone. The display will count down the baking/roasting time in hours and minutes (if the cook time is more than 1 hour) or in minutes and seconds (if the cook time is less than 1 hour).

YOU SEE



(display counts down cook time)

10. When baking/roasting is done:

The oven will turn off by itself and beep 4 times. You will also hear four 1-second tones every minute until you press OFF/CANCEL.

NOTE: To remove the reminder tones, press and hold COOK TIME for 5 seconds. To bring back the tones, repeat this step. You will see “oFF” when the tones are turned off and “on” when they are turned on.

YOU SEE



11. Turn off the oven.

NOTE: You can do this step any time to cancel the MEALTIMER control setting.

PRESS



YOU SEE

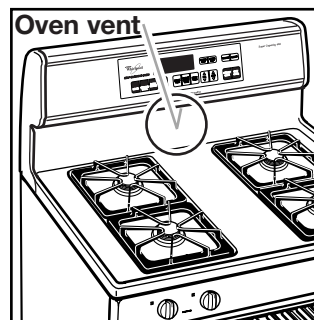


(time of day)

THE OVEN VENT

Hot air and moisture escape from the oven through a vent that is near the middle of the backguard. The vent lets air circulate properly. Be careful not to block the vent, or you will get poor baking/roasting results.

NOTE: Never store plastics, paper, or other items that could melt or burn near the oven vent, or any of the surface burners.

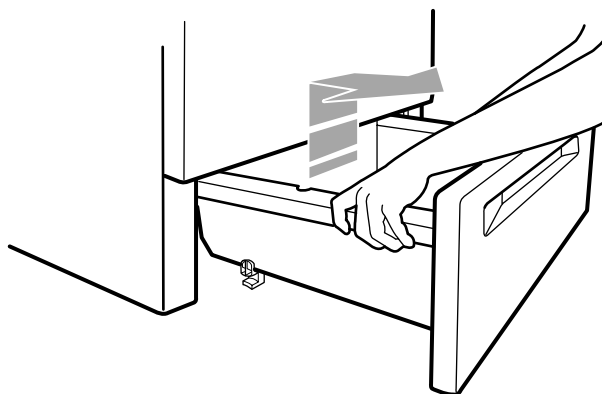


THE STORAGE DRAWER

Use the storage drawer to store cookware. You can remove the storage drawer to make it easier to clean under your range.

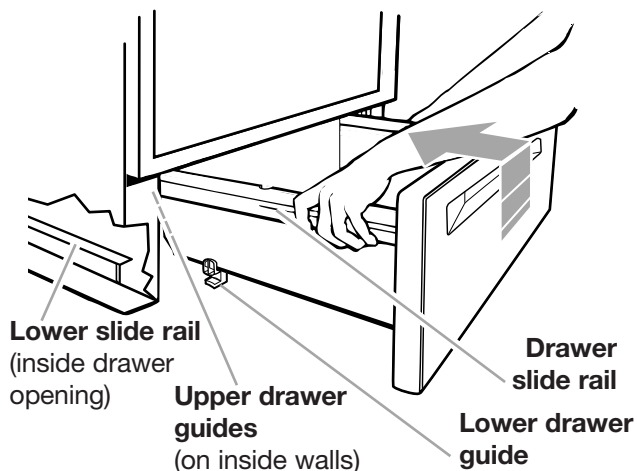
Removing the storage drawer:

1. Empty the drawer before you remove it. Pull the drawer straight out to the first stop. (The stops are small, round objects formed in the slide rail. They keep the drawer from sliding all the way out.) Then lift the front of the drawer and pull it out to the second stop.
2. Lift the back of the drawer slightly and slide it all the way out.

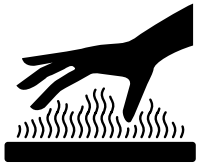


Replacing the storage drawer:

1. Position the drawer so that the lower drawer guides rest just inside the front frame lip.
2. Lift the front of the drawer and push it in until the metal stops and the drawer slide rails clear the upper drawer guides. Then slide the drawer closed.



USING THE SELF-CLEANING CYCLE



!WARNING

Burn Hazard

- Do not touch the oven during the Self-Cleaning cycle.
- Keep children away from oven during Self-Cleaning cycle.
- Do not use commercial oven cleaners in your oven.
- Failure to follow these instructions can result in burns, or illness from inhaling dangerous fumes.

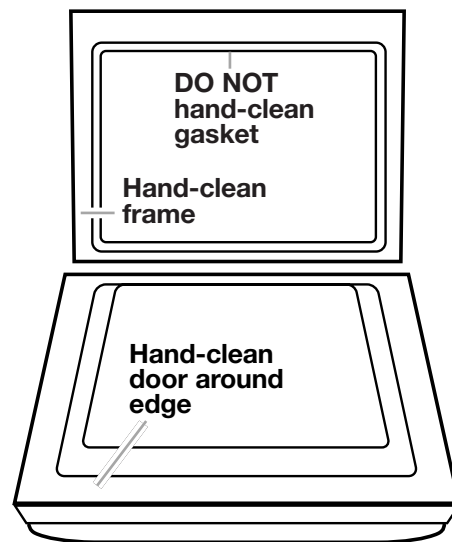
BEFORE YOU START

Before you start the Self-Cleaning cycle, make sure you:

NOTE: DO NOT clean, move, or bend the gasket. You may get poor cleaning, baking, and roasting.

- Hand-clean the areas shown. They do not get hot enough during the Self-Cleaning cycle for soil to burn away. Use hot water and detergent or a soapy, steel-wool pad for cleaning.
- Do not let water, cleaner, etc., enter slots on door and frame.
- Remove the broiler pan and grid and any cookware/bakeware being stored in the oven.
- Wipe out any loose soil or grease. This will help reduce smoke during the Self-Cleaning cycle.
- Wipe up food spills containing sugar as soon as possible after the oven cools down. When sugar is heated to a high temperature in the Self-Cleaning cycle, the high temperature can cause the sugar to burn and react with the porcelain. This can cause staining and etching or pitting.
- Remove the oven racks from the oven if you want them to remain shiny. You can clean the oven racks in the Self-Cleaning cycle, but they will become harder to slide. (See the “Cleaning chart” in the “Caring for Your Range” section.) If you clean the racks in the Self-Cleaning cycle, place them on the 2nd and 4th rack guides. (The guides are counted from bottom to top.)
- Heat and odors are normal during the Self-Cleaning cycle. Keep the kitchen well ventilated by opening a window or by turning on a vent hood or other kitchen vent during the cycle.

IMPORTANT: The health of some birds is extremely sensitive to the fumes given off during the self-cleaning cycle. Exposure to the fumes may result in death to certain birds. Always move birds to another closed and well-ventilated room.



TIPS:

- Keep the kitchen well ventilated during the Self-Cleaning cycle to help get rid of heat, odors, and smoke.
- Clean the oven before it gets heavily soiled. Cleaning a very soiled oven takes longer and results in more smoke than usual.
- Do not block the vent during the Self-Cleaning cycle. Air must move freely for best cleaning results.
- Do not leave plastic utensils on the cooktop. They may melt.
- Do not leave any foil in the oven during the Self-Cleaning cycle. Foil could burn or melt and damage the oven surface.
- The oven light will not work during the Self-Cleaning cycle.

SETTING THE CONTROLS

NOTE: Make sure the clock is set to the correct time of day. (See “Setting the clock” in the “Using Your Range” section.)

To start cleaning immediately:

1. Press AUTO CLEAN.

This will automatically set a 3½-hour Self-Cleaning cycle.

NOTE: There will be a 30-minute cool-down ½ hour before the cycle is over.

PRESS



YOU SEE



2. Set the cleaning time (optional).

If you want a Self-Cleaning cycle longer or shorter than 3½ hours, use the Hour and Minute pads to set the cleaning time you want. Press the “up” (▲) or “down” (▼) pad(s) until a time between 2½-4½ hours shows on the display.

- Use 2½ hours for light soil.
- Use 3½-4½ hours for average to heavy soil.

PRESS



YOU SEE



(example shows 4½-hour cleaning time)

3. Start the oven.

Make sure the door is closed all the way. If the door is open even a little, it will not lock. Press the door closed if needed. If the door is closed, it will lock as soon as you press START/ENTER.

PRESS



YOU SEE



4. After the Self-Cleaning cycle ends:

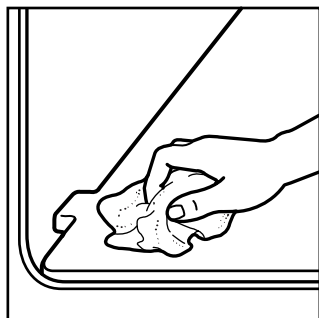
LOCKED goes off and the door unlocks.

YOU SEE



5. Press any pad or open the door to remove “End” and bring back time of day.

6. After the oven is cool, wipe off any residue or ash with a damp cloth or sponge. If needed, touch up spots with a mild abrasive cleanser or cleaning sponge.



continued on next page

SETTING THE CONTROLS (CONT.)

To delay the start using delay start time:

1. Press AUTO CLEAN.

This will automatically set a 3½-hour Self-Cleaning cycle.

NOTE: There will be a 30-minute cool-down ½ hour before the cycle is over.

PRESS



YOU SEE



2. Set the cleaning time (optional).

If you want a Self-Cleaning cycle longer or shorter than 3½ hours, use the Hour and Minute pads to set the cleaning time you want. Press the “up” (▲) or “down” (▼) pad(s) until a time between 2½-4½ hours shows on the display.

- Use 2½ hours for light soil.
- Use 3½-4½ hours for average to heavy soil.

PRESS



YOU SEE



(example for 4½-hour cycle)

3. Press DELAY START TIME.

PRESS



YOU SEE



4. Set the start time.

Press the “up” (▲) or “down” (▼) pad(s) until the correct time shows on the display. The oven will automatically come up with the stop time by adding the set cleaning time to the set start time.

PRESS



YOU SEE



(example for 2:30 start time)

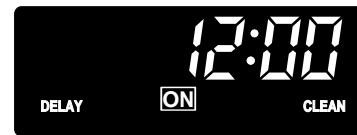
5. Press START/ENTER.

The door will lock as soon as you press START/ENTER.

PRESS



YOU SEE



6. After the Self-Cleaning cycle starts:

YOU SEE



7. After the Self-Cleaning cycle ends:

LOCKED goes off and the door unlocks.

NOTE: The stop time will be the start time plus the cleaning time.

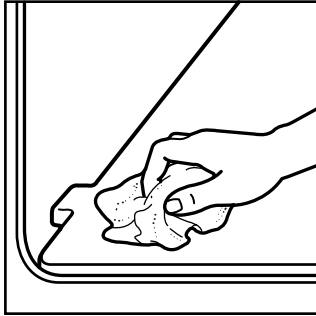
YOU SEE



SETTING THE CONTROLS (CONT.)

8. Press any pad or open the door to remove “End” and bring back time of day.

9. After the oven cools to room temperature, wipe off any residue or ash with a damp cloth or sponge. If needed, touch up spots with a mild abrasive cleanser or cleaning sponge.



To stop the self-cleaning cycle at any time:

If the oven temperature is too high for baking/roasting when you press OFF/CANCEL, “cln,” TIMED, ON, “cool,” and LOCKED will appear on the display until the oven cools.

PRESS



YOU SEE

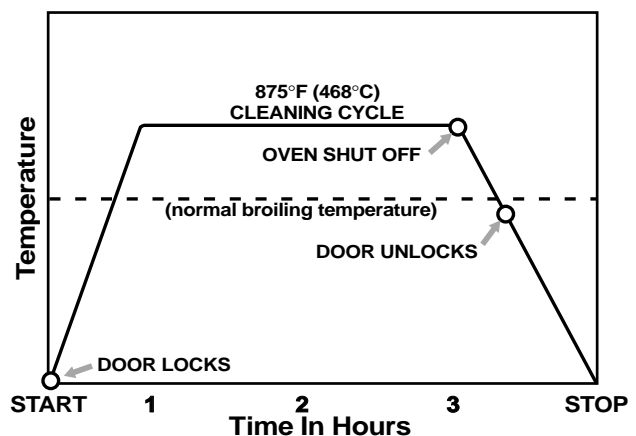


HOW THE CYCLE WORKS

The Self-Cleaning cycle uses very high heat to burn away soil and grease. During the cycle, the oven gets much hotter than it does for normal baking or broiling. This high heat breaks up the soil or grease and burns it away.

Your oven is automatically preset for a 3½-hour Self-Cleaning cycle.

The graph at the right shows you what happens in a 3½-hour Self-Cleaning cycle. Notice that the heating stops ½ hour before the 3½-hour setting is up.



CARING FOR YOUR RANGE



⚠️ WARNING

Explosion Hazard

Do not store flammable materials such as gasoline near this appliance. Doing so can result in death, explosion, or fire.

CLEANING CHART

Before cleaning, always make sure all controls are off and the range is cool. Refer to instructions on all cleaning products before using them to clean your range.

PART	CLEANING METHOD	SPECIAL INSTRUCTIONS
Control Knobs	<ul style="list-style-type: none"> • Soap and water • Dishwasher 	<ul style="list-style-type: none"> • DO NOT use steel wool or abrasive cleaners. • Pull knobs straight away from control panel. • Wash, rinse and dry with soft cloth.
Control Panel	<ul style="list-style-type: none"> • Soap and water • Spray glass cleaner 	<ul style="list-style-type: none"> • Wash, rinse and dry with soft cloth. • Apply spray cleaner to paper towel; do not spray directly on panel.
Exterior Surfaces* (excluding control panel and oven door glass)	<ul style="list-style-type: none"> • Soap and water • Mild liquid cleaner • Spray glass cleaner • Non-abrasive plastic scrubbing pad 	<ul style="list-style-type: none"> • DO NOT use abrasive or harsh cleaners like chlorine bleach, ammonia or oven cleaners. • Wash, rinse and dry with soft cloth. • Gently clean around the model and serial plate, too much scrubbing could remove the numbers. • NOTE: To avoid product damage, do not remove the cooktop.
Porcelain-coated surface burner grates and caps* <ul style="list-style-type: none"> • Light to moderate soil • Stubborn or heavy burned on soils 	<ul style="list-style-type: none"> • Soap and water • Non-abrasive plastic scrubbing pad • Non-abrasive plastic scrubbing pad • Mild abrasive powdered cleanser and water 	<ul style="list-style-type: none"> • DO NOT clean in dishwasher. • Clean soon after they become dirty. • Wash, rinse and dry well. • Repeat steps of cleaning process (with items at left) as needed, until soil is completely removed. • Rinse thoroughly and dry. • NOTE: Do not reassemble caps on burners while wet.

*When the cooktop is cool, remove all spills and clean. Food spills containing acids, such as vinegar and tomato, may affect the finish. To avoid porcelain grate chipping, do not bang grates and caps against each other or other hard surfaces such as cast iron cookware.

CLEANING CHART (CONT.)

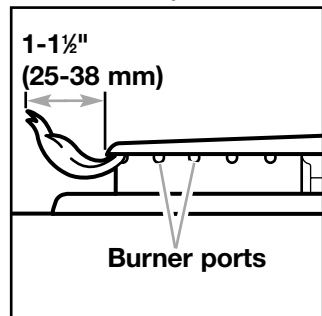
PART	CLEANING METHOD	SPECIAL INSTRUCTIONS
Surface burners		<ul style="list-style-type: none"> • See the "Sealed surface burner" section in the "Caring for Your Range" section.
Oven door glass	<ul style="list-style-type: none"> • Soap and water • Non-abrasive plastic scrubbing pad • Spray glass cleaner 	<ul style="list-style-type: none"> • Wash, rinse and dry with soft cloth. • Wipe with paper towel.
Oven cavity <ul style="list-style-type: none"> • Food spills containing sugar and/or milk • All other spills 	<ul style="list-style-type: none"> • Soap and water • Self-cleaning cycle 	<ul style="list-style-type: none"> • When oven cools, wash, rinse and dry with soft cloth. See the "Using the Self-Cleaning Cycle" section. • See the "Using the Self-Cleaning Cycle" section.
Oven racks	<ul style="list-style-type: none"> • Soap and water • Steel wool pad • Self-cleaning cycle 	<ul style="list-style-type: none"> • Wash, rinse and dry. • Place on 2nd and 4th rack guides. Racks will discolor and become harder to slide. After cleaning, apply vegetable oil to rack guides for easier sliding.
Broiler pan and grid	<ul style="list-style-type: none"> • Soap and water • Steel wool pad • Dishwasher • Solution of ½ cup (125 mL) ammonia to 1 gallon (3.8 L) water • Mild abrasive cleanser or commercial oven cleaner 	<ul style="list-style-type: none"> • Wash, rinse and dry. • Soak for 20 minutes, then scrub with plastic scrubbing pad. • DO NOT clean the pan and grid in the self-cleaning cycle.

continued on next page

SEALED SURFACE BURNERS AND COOKTOP

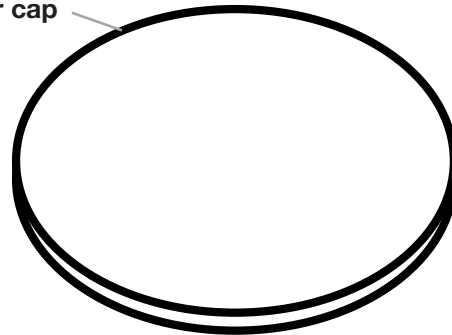
Cleaning the surface burners

- You should routinely remove and clean the burner cap. Always clean the burner cap after a spill-over. Keeping the burner cap clean prevents poor ignition and an uneven flame.
- For the proper flow of gas and ignition of the burner, **do not allow spills, food, cleaning agents, or any other material to enter the gas tube opening or burner ports.**
- Gas must flow freely through the gas tube opening for the burner to light properly. You must keep this area free of any soil and protect it from boilovers or spillovers. **Always** keep the burner cap in place whenever a surface burner is in use.
- Let the cooktop cool before cleaning.
- Do not use oven cleaners, bleach, or rust removers.
- Do not obstruct the flow of combustion and ventilation air around the burner grate edges.
- Occasionally check the burner flames for proper size and shape as shown. A good flame is blue in color. If the flames are not burning at all ports, you may need to clean the burner ports.



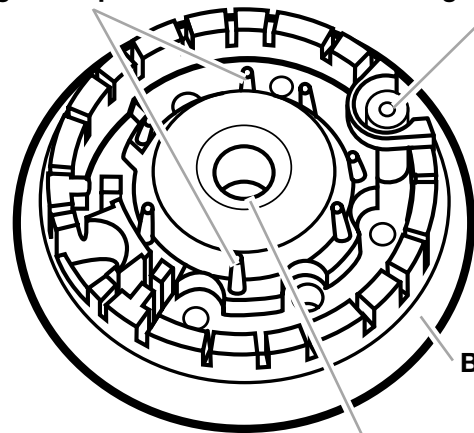
size and shape as shown. A good flame is blue in color. If the flames are not burning at all ports, you may need to clean the burner ports.

Porcelain burner cap



Alignment pins

Ignitor



Burner base

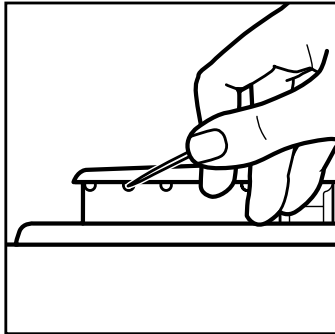
Gas tube opening

SEALED SURFACE BURNERS AND COOKTOP (CONT.)

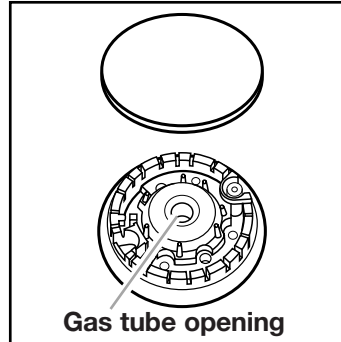
To clean the burners:

1. Pull the burner cap straight up from the burner base.
2. Clean the burner cap with warm, soapy water and a sponge. You can also clean it with a non-abrasive scrubbing pad or mild abrasive powdered cleanser. Do not clean the burner cap in a dishwasher.
3. If the gas tube opening has become soiled or clogged, use a damp cloth to clean the area.

4. **If the ports are clogged, clean them with a straight pin. Do not enlarge or distort the port. Do not use a wooden toothpick.** If the burner needs to be adjusted, call a qualified technician for service.



5. After cleaning the gas tube opening and ports, replace the burner cap. To replace the burner cap, make sure the alignment pins on the cap are properly aligned with the burner base.



6. Turn on the burner to see if it will light. If the burner does not light after you have cleaned it, recheck cap alignment or contact a designated service technician. Do not service the sealed burner yourself.

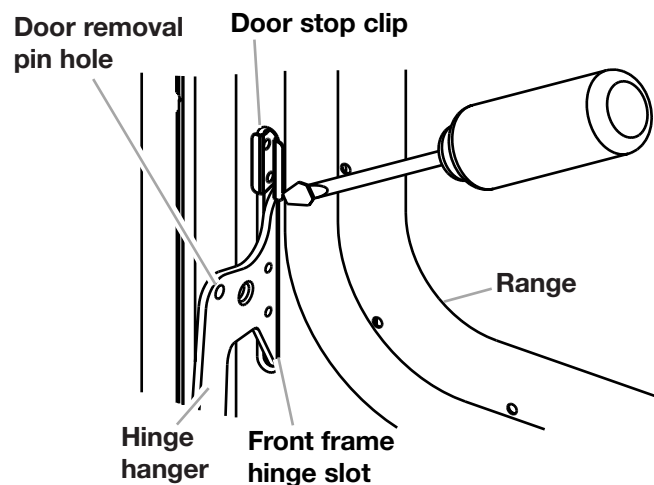
REMOVING THE OVEN DOOR

For normal use of your range, you do not need to remove the door. However, if you find it necessary to remove the door, follow the instructions in this section.

NOTE: The oven door is heavy.

Before removing the door:

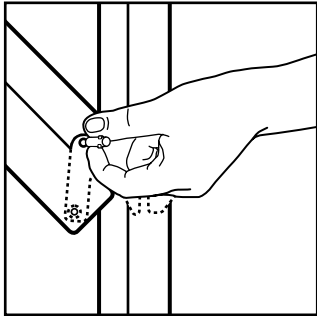
1. Use a putty knife or screwdriver and insert it at the bottom corner of the door stop clip.
2. Pry door stop clip free and remove from front frame hinge slot. Take care not to scratch porcelain.
3. Repeat procedure for other door stop clip.



REMOVING THE OVEN DOOR (CONT.)

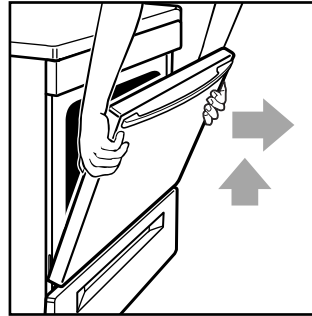
To remove:

1. Open the oven door. Insert door removal pins, included with your range, into both hinge hangers. **Do not remove the pins while the door is removed from the range.**



2. Carefully close the door until it rests against the door removal pins.

3. Grasp the door on the sides with your fingers on the front of the door and your thumbs on the inside surface.

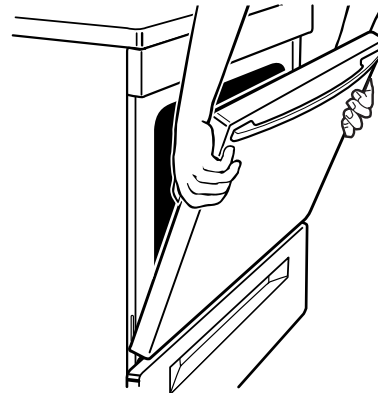


4. Pull door straight up, then toward you. Hinge hangers will slide out of front frame hinge slot.

To replace:

NOTE: The door removal pins you inserted must still be in both door hinges.

1. Grasp the door on the sides with your fingers on the front of the door and your thumbs on the inside surface.

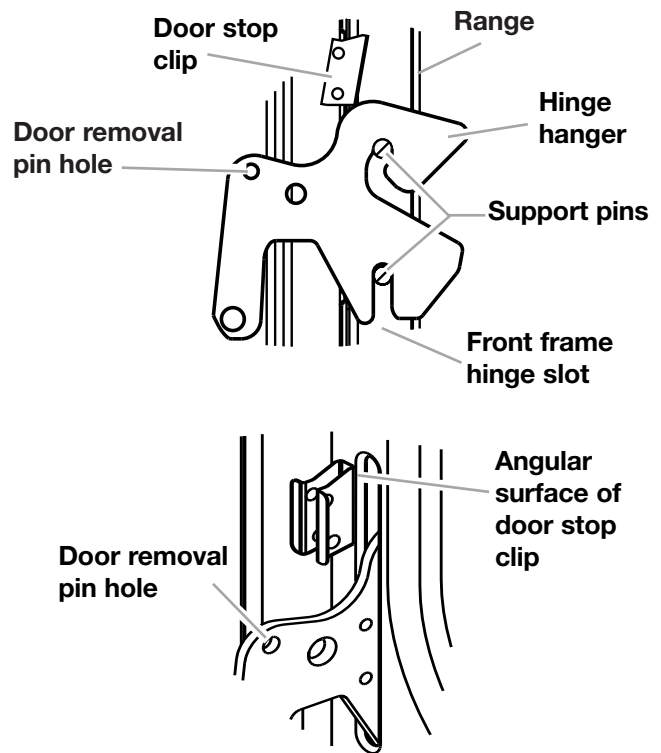


REMOVING THE OVEN DOOR (CONT.)

2. Hold oven door so that the top edge of each hinge hanger is horizontal. Insert hinge hangers into the front frame hinge slots.
3. Tilt top of door toward range. Slide hinge hangers down onto front frame support pins.

NOTE: Make sure the hinge hangers are fully seated and engaged on the support pins.

4. Insert the door stop clip with the angular surface at the top of the frame hinge slot, then push in the bottom of the clip until flanges are flush with the front frame.
5. Open the door completely and remove the door removal pins. Save door removal pins for future use.
6. Close the door.



THE OVEN LIGHT

The oven light will come on when you open the oven door.

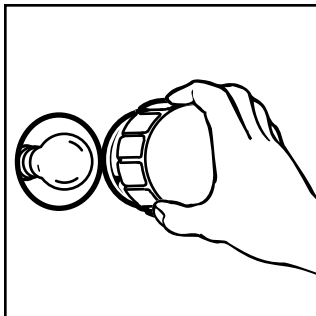
To turn the light on or off when the oven door is closed:

- Press the oven LIGHT pad.



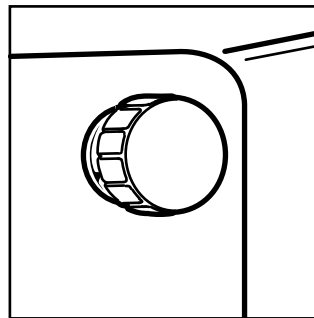
To replace the oven light:

1. Unplug range or disconnect power.
2. Remove the glass bulb cover in the back of the oven by turning it counterclockwise.



3. Remove the light bulb from its socket. Replace the bulb with a 40-watt appliance bulb.

4. Replace the light bulb cover by turning it clockwise.



5. Plug in range or reconnect power.

NOTE: The oven light will not work during the Self-Cleaning cycle.

TROUBLESHOOTING

Most cooking problems often are caused by little things you can find and fix without tools of any kind. Check the lists below and on the next page before calling for assistance or service. If you still need help, see “Requesting Assistance or Service” on page 36.

RANGE DOES NOT WORK

PROBLEM	CAUSE
Nothing works	<ul style="list-style-type: none">● The range is not plugged into a properly grounded outlet (120v polarized).● The range is not properly connected to the gas supply. Contact a designated service technician to reconnect the range to the gas supply. (See the Installation Instructions.)● You have blown a household fuse or tripped a circuit breaker.

OVEN/BROILER BURNER

PROBLEM	CAUSE
The oven does not work	<ul style="list-style-type: none">● When using the oven for the first time, it is necessary to light the surface burners first to purge the gas lines.● You have not set the control knob correctly. Refer to “Using Your Range” section.● The main or regulator gas shutoff valve is in the off position. (See the Installation Instructions.)
Burner makes muffled ticking noise when in use	<ul style="list-style-type: none">● This is normal. This sound occurs when the oven burner cycles on and off to insure proper oven temperature.
The burner fails to light	<ul style="list-style-type: none">● The ignition system is broken. Contact a designated service technician to replace it.● You have blown a household fuse or tripped a circuit breaker.
The burner flames lift away from the ports, are yellow, or are noisy	<ul style="list-style-type: none">● The air/gas mixture is incorrect. Contact a designated service technician to check the air/gas mixture or see the Installation Instructions.

SURFACE BURNERS

PROBLEM	CAUSE
The burner fails to light	<ul style="list-style-type: none">● The control knob is not set correctly. Push in the control knobs before turning them. Make sure the control knob is turned to the LIGHT position. (See page 6.)● You have blown a household fuse or tripped a circuit breaker.● The burner ports may be clogged. Clean them with a straight pin. (See page 31.)
The burner flames are uneven	<ul style="list-style-type: none">● The burner ports may be clogged. Clean them with a straight pin. (See page 31.)● The burner caps may not be positioned properly. (See page 31.)
The burner flames lift off the ports, are yellow, or are noisy when turned off	<ul style="list-style-type: none">● The burner needs cleaning. (See page 30 and 31.)● The air/gas mixture is incorrect. Contact a designated service technician to check the air/gas mixture or see the Installation Instructions.
The burner makes a popping noise when on	<ul style="list-style-type: none">● The burner is wet from washing. Let it dry.

WHEN SELF-CLEANING YOUR OVEN

PROBLEM	CAUSE
The Self-Cleaning cycle will not work	<ul style="list-style-type: none"> You did not press START/ENTER. You have set a delayed start time. Wait for the start time to be reached or cancel and reset the control.

COOKING RESULTS

PROBLEM	SOLUTION
Cookware not level on cooktop (Check to see if liquids are level in cookware)	<ul style="list-style-type: none"> Level the range. (See the Installation Instructions.) Use cookware with a flat bottom.
Excessive heat on cooktop in areas around cookware	<ul style="list-style-type: none"> Choose cookware the same size or slightly larger than the burner flame.
The oven temperature seems too low or too high	<ul style="list-style-type: none"> Adjust the oven temperature control. (See “Adjusting the oven temperature control” section.)
Slow baking or roasting	<ul style="list-style-type: none"> Increase baking or roasting time. Increase temperature 25°F (14°C). Preheat oven to selected temperature before placing food in when preheating is recommended. Choose bakeware that will allow 2 inches (5 cm) of air space around all sides. Open oven door to check food when timer signals shortest time suggested in recipe. Oven peeking can make cooking times longer.
Baked items too brown on bottom	<ul style="list-style-type: none"> Preheat oven to selected temperature before placing food in oven. Choose bakeware that will allow 2 inches (5 cm) of air space around all sides. Position rack higher in oven. Decrease oven temperature 15° to 25°F (8° to 14°C).
Unevenly baked items	<ul style="list-style-type: none"> Level the range. Bake in center of oven with 2 inches (5 cm) of space around each pan. Check to make sure batter is level in pan.
Crust edge browns before pie is done	<ul style="list-style-type: none"> Shield edge with foil.

DISPLAY MESSAGES

PROBLEM	CAUSE
The display is showing “PF”	<ul style="list-style-type: none"> There has been a power failure. Press OFF/CANCEL to clear the display, then reset the clock. (See page 11.)
“F” followed by a number shows on the display	<ul style="list-style-type: none"> Press OFF/CANCEL to clear the display. If an “F” code appears again, call for service. (See “Requesting Assistance or Service” on page 36.)

If none of these items are causing your problem, see “Requesting Assistance or Service” on page 36.

REQUESTING ASSISTANCE OR SERVICE

To avoid unnecessary service calls, please check the “Troubleshooting” section of your Use and Care Guide. It may save you the cost of a service call. If you still need help, follow the instructions below.

1. If the problem is not due to one of the items listed in the “ Troubleshooting” section of your Use and Care Guide†...

Call the Inglis Limited Consumer Assistance Center telephone number. Dial toll-free from anywhere:

Call 1-800-461-5681
8:30 a.m. - 6:00 p.m. (EST)

One of our trained consultants can instruct you in how to obtain satisfactory operation from your appliance or, if service is necessary, recommend a designated service company in your area.

If you prefer, write to:

Consumer Relations Department
Inglis Limited
1901 Minnesota Court
Mississauga, Ontario L5N 3A7

Please include a daytime phone number in your correspondence.

2. If you need service†...

Contact Inglis Limited Appliance Service from anywhere in Canada at **1-800-807-6777**.

3. If you need FSP® replacement parts ...

FSP® is a registered trademark of Whirlpool Corporation for quality parts. Look for this symbol of quality whenever you need a replacement part for your appliance. FSP replacement parts will fit right and work right because they are made to the same exacting specifications used to build every new Whirlpool appliance.

To locate FSP replacement parts in your area, refer to Step 2 or call the Consumer Assistance Center number (see Step 1).

† When asking for help or service: Please provide a detailed description of the problem, your appliance's complete model and serial numbers, and the purchase date. (See the “A Note to You” section of your Use and Care Guide.) This information will help us respond properly to your request.

INDEX

TOPIC	PAGE	TOPIC	PAGE
ANTI-TIP BRACKET.....	3	FEATURES	5
ASSISTANCE	36	MEALTIMER™ CONTROL	
BAKING		Delay start.....	21, 22
ACCUBAKE® system.....	13, 14	Starting now.....	19
Aluminum foil.....	9	MODEL AND SERIAL NUMBER.....	2
Bakeware.....	9	OVEN DOOR	31-33
Pans	8	OVEN LIGHT.....	33
Preheat conditioning	14	OVEN TEMPERATURE	
Racks	8	Adjusting.....	15
Setting cycle.....	13	Setting	13, 16
Tips.....	14	OVEN VENT	23
BROILING		PANS.....	7, 8
Grid.....	17	PARTS.....	5
Guidelines.....	17, 18	RACKS.....	8
Pan	16, 17	ROASTING	
Rack positions.....	18	Pans	8
Setting cycle.....	16	Racks	8
CLEANING		Setting cycle.....	13
Broiler pan and grid	29	Tips.....	13
Control knobs.....	28	SAFETY.....	3, 4
Control panel.....	28	SELF-CLEANING CYCLE	
Exterior surfaces	28	Before you start.....	24
Oven cavity	29	Delay start	26
Oven door glass.....	29	How the cycle works.....	27
Oven racks	29	Setting the controls.....	25
Self-cleaning cycle.....	24	Tips.....	24
Surface burners.....	30, 31	Starting immediately	25
Surface burner grates and caps	28	Stopping the cycle	27
CONTROL PANEL		SERVICE	36
Burner heat settings.....	6	STORAGE DRAWER.....	23
Control knobs.....	6	SURFACE BURNERS	
Surface burner markers	5	ACCUSIMMER™ setting.....	6
COOKWARE		Control knobs.....	6
Canning	7	Control setting guide.....	6
Materials.....	7	POWER™ Burner.....	6
Tips.....	7	Power failure	7
ELECTRONIC OVEN CONTROL		Surface burner markers	5
Canceling	12	Tips.....	6
Celsius/fahrenheit.....	15	TROUBLESHOOTING.....	34, 35
Clock	11	WARRANTY	40
Control lock.....	10		
Display/Clock	10		
Minute timer	11, 12		
Starting.....	12		
Tones	13		

WARRANTY

WHIRLPOOL GOLD™ GAS RANGE

LENGTH OF WARRANTY	WHIRLPOOL CORPORATION AND INGLIS LIMITED WILL PAY FOR
FULL ONE-YEAR WARRANTY FROM DATE OF PURCHASE	FSP® replacement parts and repair labor to correct defects in materials or workmanship. Service must be provided by a Whirlpool designated service company
WHIRLPOOL CORPORATION AND INGLIS LIMITED WILL NOT PAY FOR	
<p>A. Service calls to:</p> <ol style="list-style-type: none"> 1. Correct the installation of your range. 2. Instruct you how to use your range. 3. Replace house fuses or correct house wiring or plumbing. 4. Replace owner-accessible light bulbs. 5. Correct house plumbing. <p>B. Repairs when your range is used in other than normal, single-family household use.</p> <p>C. Pickup and delivery. Your range is designed to be repaired in the home.</p> <p>D. Damage resulting from accident, alteration, misuse, abuse, fire, flood, acts of God, or use of products not approved by Whirlpool Corporation or Inglis Limited.</p> <p>E. Repairs to parts or systems resulting from unauthorized modifications made to the appliance.</p> <p>F. Travel or transportation expenses for customers who reside in remote areas.</p> <p>G. Replacement parts or repair labor costs for units operated outside Canada.</p>	

12/99

WHIRLPOOL CORPORATION AND INGLIS LIMITED SHALL NOT BE LIABLE FOR INCIDENTAL OR CONSEQUENTIAL DAMAGES. Some provinces do not allow the exclusion or limitation of incidental or consequential damages, so this exclusion or limitation may not apply to you. This warranty gives you specific legal rights, and you may also have other rights which vary from province to province.

Outside Canada, this warranty does not apply. Contact your authorized Whirlpool dealer to determine if another warranty applies.

If you need service, first see the "Requesting Assistance or Service" section on the previous page. After checking "Requesting Assistance or Service," additional help can be found by calling Inglis Limited, **1-800-807-6777**.

d'utilisation et d'entretien

Cuisinière à gaz autonettoyante

Note à l'utilisateur	2
Sécurité de la cuisinière	3
Pièces et caractéristiques	5
Utilisation de la cuisinière	6
Utilisation du programme d'autonettoyage	24
Entretien de la cuisinière	28
Dépannage	34
Demande d'assistance ou de service	37
Index	39
Garantie	40

1-800-461-5681

Téléphoner au Centre d'assistance
aux consommateurs si vous avez des
questions ou commentaires



POUR L'INSTALLATEUR : LAISSER CE MANUEL
D'INSTRUCTION AVEC L'APPAREIL.

POUR LE CONSOMMATEUR : LIRE CE MANUEL ET LE
CONSERVER POUR CONSULTATION ULTÉRIEURE.

Super Capacité 465 avec système ACCUBAKE®

Four de 4,65 pi³ (0,132 m³)

MODÈLE YGF395LEG

8273165

NOTE À L'UTILISATEUR

Merci de votre achat d'un appareil électroménager WHIRLPOOL GOLD™.

La marque Whirlpool s'est engagée à concevoir des produits de qualité qui donnent un rendement uniforme et vous facilitent la vie. Pour vous assurer de nombreuses années de fonctionnement sans souci, nous avons mis au point ce Guide d'utilisation et d'entretien. Il contient de nombreux renseignements qui vous aideront à utiliser et à faire l'entretien de votre appareil, convenablement. Veuillez lire ces renseignements attentivement.

Veuillez aussi remplir et retourner par la poste la **carte** ci-incluse **d'enregistrement du produit**, fournie avec votre appareil électroménager. Cette carte nous aidera à vous tenir au courant de tout nouveau renseignement au sujet de votre appareil électroménager.

Veuillez noter ici l'information concernant votre modèle.

Chaque fois que vous téléphonez pour des services de réparation concernant votre appareil électroménager, vous devez connaître le numéro de modèle et le numéro de série de l'appareil au complet. Cette information est indiquée sur la plaque signalétique (voir le schéma à la section "Pièces et caractéristiques").

Veuillez aussi inscrire la date d'achat de votre appareil ménager et les nom, adresse et numéro de téléphone du marchand.

Numéro de modèle _____

Numéro de série _____

Date d'achat _____

Nom du marchand _____

Adresse du marchand _____

Téléphone du marchand _____

Conservez ce manuel et la facture d'achat ensemble dans un lieu sûr pour référence ultérieure. Il est important pour vous de garder votre reçu de vente indiquant la date d'achat. Une preuve d'achat vous assurera un service d'après les garanties.

**Composer notre numéro sans frais d'interurbain
du Centre d'assistance aux consommateurs.**

1-800-461-5681

Pour trouver des renseignements détaillés concernant le produit, l'emplacement de votre marchand Whirlpool le plus proche, ou un service désigné, pour acheter un accessoire ou enregistrer votre appareil en ligne, veuillez parcourir notre site web à www.whirlpool.com/canada

AVERTISSEMENT : Pour votre sécurité, les renseignements dans ce manuel doivent être observés pour réduire au minimum les risques d'incendie ou d'explosion ou pour éviter des dommages au produit, des blessures ou un décès.

- **Ne pas entreposer ni utiliser de l'essence ou d'autres vapeurs ou liquides inflammables à proximité de cet appareil ou de tout autre appareil électroménager.**
- **QUE FAIRE DANS LE CAS D'UNE ODEUR DE GAZ**
 - **Ne pas tenter d'allumer un appareil.**
 - **Ne pas toucher à un commutateur électrique.**
 - **Ne pas utiliser le téléphone se trouvant sur les lieux.**
 - **Appeler immédiatement le fournisseur de gaz d'un téléphone voisin. Suivre ses instructions.**
 - **À défaut de joindre votre fournisseur de gaz, appeler les pompiers.**
- **L'installation et l'entretien doivent être effectués par un installateur qualifié, une agence de service ou le fournisseur de gaz.**

SÉCURITÉ DE LA CUISINIÈRE

Votre sécurité et celle des autres est très importante.

Nous donnons de nombreux messages de sécurité importants dans ce manuel et sur votre appareil ménager. Assurez-vous de toujours lire tous les messages de sécurité et de vous y conformer.



Voici le symbole d'alerte de sécurité.

Ce symbole d'alerte de sécurité vous signale les dangers susceptibles de causer le décès et des blessures graves à vous et à d'autres.

Tous les messages de sécurité seront précédés du symbole d'alerte de sécurité et du mot "DANGER" ou "AVERTISSEMENT." Ces mots signifient :

⚠ DANGER

Risque certain de décès ou de blessure grave si vous ne suivez pas les instructions.

⚠ AVERTISSEMENT

Risque possible de décès ou de blessure grave si vous ne suivez pas les instructions.

Tous les messages de sécurité identifient le danger et vous disent comment réduire le risque de blessure, et ce qui peut se produire en cas de non-respect des instructions.

LA BRIDE ANTIBASCULEMENT

Dans les conditions de service normales, la cuisinière ne bascule pas. Elle peut cependant basculer si une force ou un poids excessif est appliqué sur la porte ouverte alors que la bride antibasculement n'est pas convenablement fixée.

⚠ AVERTISSEMENT

Risque de basculement

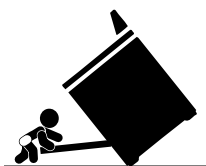
Un enfant ou une personne adulte peut faire basculer la cuisinière ce qui peut causer un décès.

Joindre la bride antibasculement au pied arrière de la cuisinière.

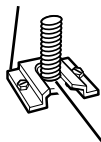
Joindre de nouveau la bride antibasculement si la cuisinière est déplacée.

Voir détails dans les instructions d'installation.

Le non-respect de ces instructions peut causer un décès ou des brûlures graves aux enfants et aux adultes.



La bride antibasculement



Le pied de la cuisinière

Assurez-vous qu'une bride antibasculement est installée :

- Glisser la cuisinière vers l'avant.
- Vérifier que la bride antibasculement est bien fixée au plancher.
- Glisser de nouveau la cuisinière vers l'arrière de sorte que le pied est sous la bride antibasculement.

suite à la page suivante

IMPORTANTES INSTRUCTIONS DE SÉCURITÉ

AVERTISSEMENT : Pour réduire le risque d'incendie, de choc électrique, de blessures corporelles ou de dommages lors de l'utilisation de la cuisinière, il convient d'observer certaines précautions élémentaires dont les suivantes :

- **AVERTISSEMENT – POUR MINIMISER LE RISQUE DE BASCULEMENT DE LA CUISINIÈRE, ELLE DOIT ÊTRE BIEN IMMOBILISÉE PAR DES DISPOSITIFS ANTIBASCULEMENT CORRECTEMENT INSTALLÉS. POUR VÉRIFIER SI LES DISPOSITIFS SONT CORRECTEMENT INSTALLÉS, GLISSER LA CUISINIÈRE VERS L'AVANT ET VÉRIFIER SI LA BRIDE ANTIBASCULEMENT EST BIEN FIXÉE AU PLANCHER, ET GLISSER LA CUISINIÈRE VERS L'ARRIÈRE POUR QUE LE PIED ARRIÈRE DE LA CUISINIÈRE SOIT SOUS LA BRIDE ANTIBASCULEMENT.**
- **MISE EN GARDE –** Ne pas remiser dans des armoires au-dessus de la cuisinière ou sur le dossier d'une cuisinière, des objets que des enfants pourraient vouloir atteindre. Les enfants pourraient se brûler ou se blesser en grimpant sur la cuisinière.
- **Installation appropriée –** La cuisinière, lorsqu'elle est correctement installée, doit être reliée à la terre conformément aux codes électriques locaux ou en l'absence de codes locaux, au *Code canadien des installations électriques, partie 1, C22.1-98*, dernière révision. S'assurer que l'installation et la mise à la terre sont effectuées par un technicien qualifié.

- Cette cuisinière est équipée d'une fiche à trois broches avec liaison à la terre pour assurer la protection contre les risques de chocs électriques et doit être branchée directement dans une prise avec liaison adéquate à la terre. Ne pas couper ou enlever la broche de liaison à la terre de cette fiche.
 - Débrancher l'alimentation électrique avant d'exécuter des réparations à l'appareil.
 - Ne jamais utiliser la cuisinière comme source de chauffage ou de réchauffage d'une pièce.
 - Des blessures peuvent survenir d'un mauvais usage des portes ou des tiroirs de l'appareil tel que monter debout sur la surface, se pencher ou s'asseoir sur les portes ou tiroirs.
 - Entretien – Garder l'espace autour de la cuisinière dégagé et libre de matériaux combustibles, d'essence et d'autres vapeurs et liquides inflammables.
 - Rangement dans ou sur la cuisinière – Des produits inflammables ne devraient pas être remisés dans un four ou près des éléments de surface.
 - La taille de la flamme des brûleurs devrait être ajustée de sorte qu'elle ne dépasse pas le bord de l'ustensile de cuisson.
- Cuisinière autonettoyante –**
- Avant l'autonettoyage du four – Enlever la lèchefrite et tout autre ustensile. Essuyer tous les renversements excessifs avant de mettre en marche le programme d'autonettoyage.

– CONSERVEZ CES INSTRUCTIONS –

PIÈCES ET CARACTÉRISTIQUES

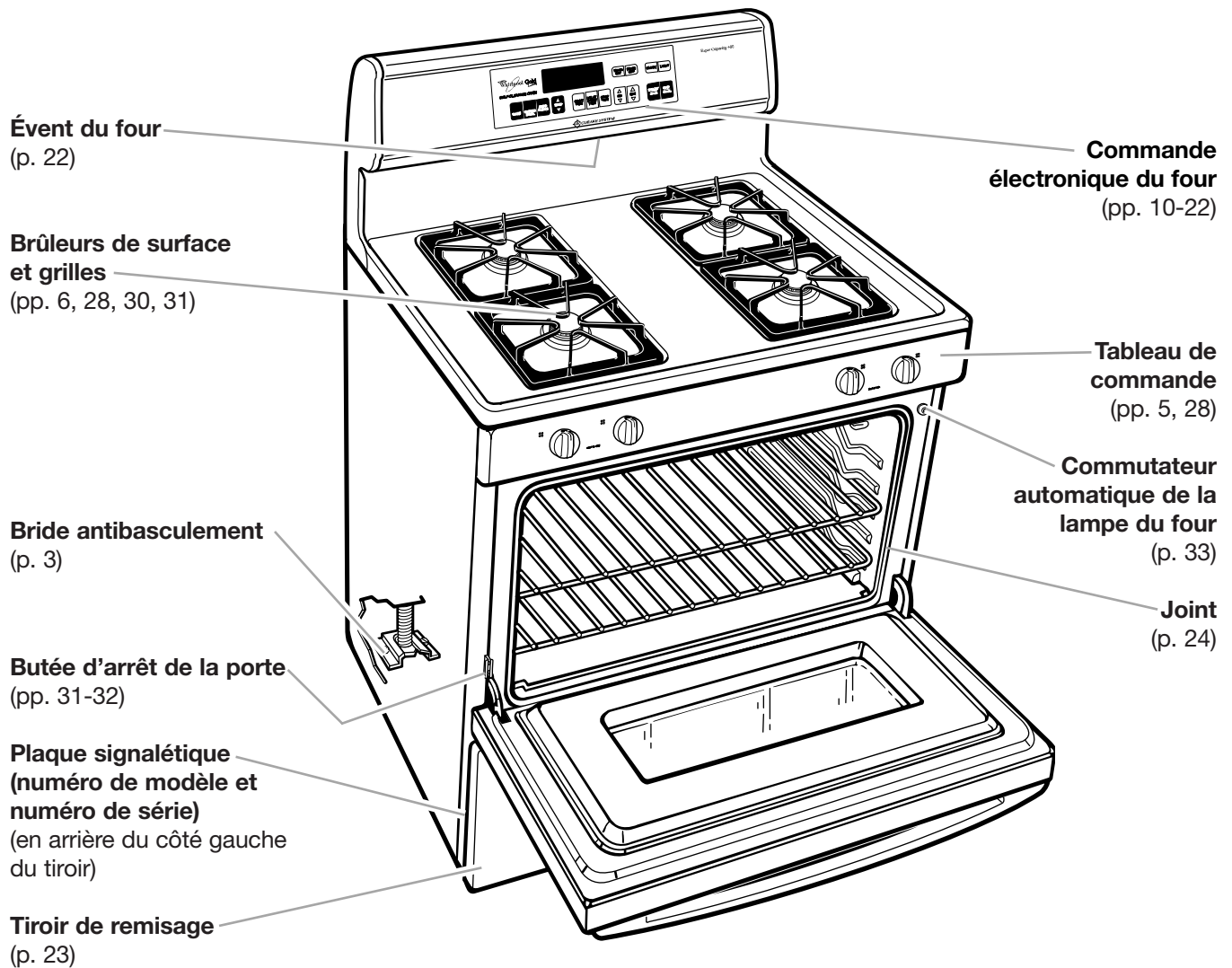
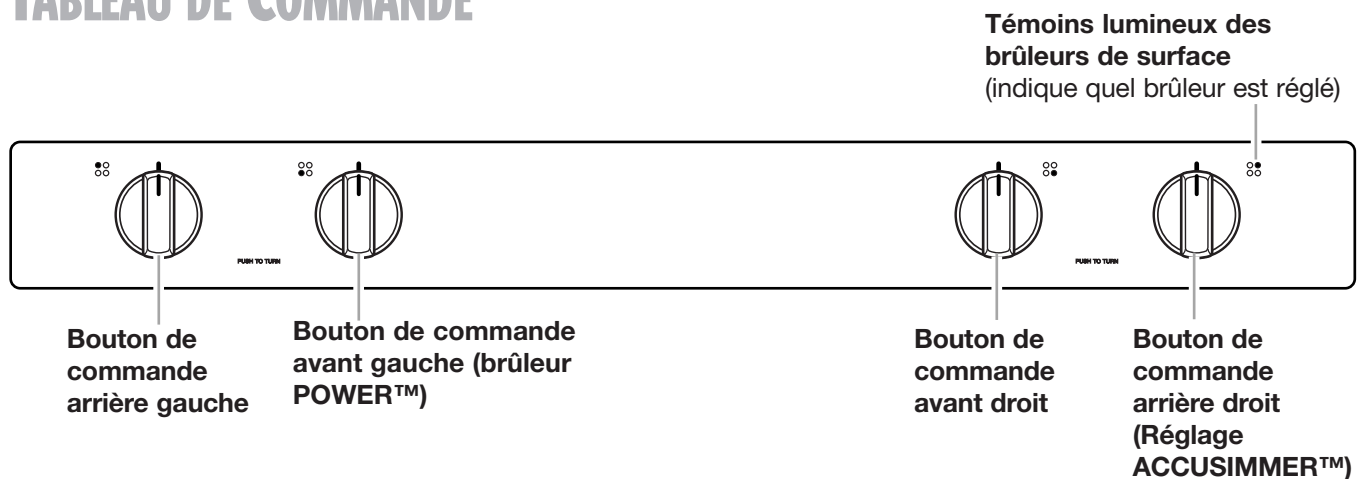


TABLEAU DE COMMANDE



UTILISATION DE LA CUISINIÈRE

UTILISATION DES BRÛLEURS DE SURFACE

⚠ AVERTISSEMENT



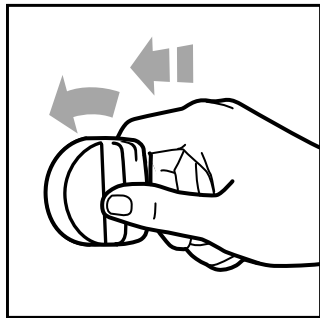
Risque d'incendie

La flamme d'un brûleur ne devrait pas dépasser le bord du récipient de cuisson. Fermer tous les réglages lorsque la cuisson est terminée. Le non-respect de ces instructions peut causer un décès ou un incendie.

Utilisation des boutons de commande

La table de cuisson est fournie avec allumeurs électriques. Les allumeurs électriques allument automatiquement les brûleurs chaque fois qu'on tourne le bouton de commande à LIGHT.

- Placer une casserole remplie sur la grille du brûleur avant d'allumer le brûleur. Ne pas faire fonctionner un brûleur pendant des périodes prolongées sans avoir un ustensile de cuisson sur la grille.
- Appuyer sur le bouton de commande et le



tourner dans le sens **antihoraire** jusqu'à la position LIGHT. Le bruit sec est l'étincelle de l'allumeur. S'assurer que le brûleur s'est allumé.

- Pour arrêter le bruit sec après l'allumage du brûleur, tourner le bouton de commande

au réglage de cuisson que vous désirez. On peut régler le bouton de commande à toute position entre HIGH et LOW.

REMARQUE : Tous les allumeurs électriques feront le même bruit en même temps. Toutefois, le brûleur avec le bouton de commande tourné à LIGHT est celui qui s'allumera.

N'OUBLIEZ PAS : Quand l'appareil est utilisé ou durant le programme d'autonettoyage, toute la surface de la table de cuisson peut devenir chaude.

Réglages de chaleur des brûleurs

Utiliser le tableau suivant comme guide.

RÉGLAGE	UTILISATION RECOMMANDÉE
LIGHT	● Pour allumer le brûleur.
Brûleur POWER™ (brûleur avant gauche)	● Pour fournir le réglage de chaleur la plus élevée.
HIGH	● Pour commencer la cuisson des aliments. ● Pour amener un liquide à ébullition.
Mid-range (entre HIGH et LOW)	● Pour maintenir une ébullition. ● Pour frire poulet ou crêpes. ● Pour cuire de sauces, pudding et glaçage. ● Pour cuire de grandes quantités de légumes.
LOW	● Pour maintenir les aliments chauds. ● Pour faire mijoter un aliment.
Réglage ACCUSIMMER™ (brûleur arrière droit)	● Pour procurer le plus faible réglage de mijotage/chaleur ● Pour faire fondre du chocolat ou du beurre.

REMARQUE : Ne pas laisser un ustensile vide ou un ustensile dont l'ébullition est complète, sur un brûleur de surface chaud. L'ustensile de cuisson pourrait surchauffer et causer des dommages à l'ustensile ou à l'appareil de cuisson.

Utilisation du brûleur POWER (PUISSANT)

Le brûleur POWER est un réglage ajustable pour le brûleur avant gauche qui fournit un réglage de chaleur ultra-élevée. Il peut être utilisé pour porter rapidement un liquide à ébullition et pour faire cuire de grandes quantités d'aliments.

Utilisation du réglage ACCUSIMMER

ACCUSIMMER est un réglage ajustable pour le brûleur arrière droit. Il permet un contrôle plus précis de mijotage au réglage le plus bas.

Moyens faciles d'économiser l'énergie

- Pour aider à réduire le temps de cuisson, utiliser le moins possible de liquide.
- Préchauffer vos ustensiles seulement sur recommandation et pendant la durée la plus courte possible.
- Commencer la cuisson des aliments à un réglage de chaleur plus élevée ensuite revenir au réglage plus bas pour compléter la cuisson.

UTILISATION DES BRÛLEURS DE SURFACE (SUITE)

En cas d'une panne d'électricité prolongée

On peut allumer manuellement les brûleurs de surface. Tenir une allumette allumée près d'un brûleur et tourner le bouton de commande à la position LIGHT. Lorsque le brûleur s'allume, tourner le bouton de commande au réglage désiré.

Renseignements sur la préparation des conserves à la maison

Le grand diamètre de la plupart des bains-marie ou autoclaves combinés avec des réglages élevés pendant des périodes prolongées, peuvent causer des dommages à la table de cuisson.

Pour protéger la table de cuisson :

- Pour les meilleurs résultats, utiliser un autoclave qui puisse être centré sur le brûleur de surface.
- Ne pas placer l'autoclave sur deux brûleurs de surface à la fois.
- Commencer avec de l'eau chaude, couvrir avec un couvercle et porter à ébullition; ensuite réduire la chaleur pour maintenir une ébullition ou le niveau requis de pression dans un autoclave.

- Se référer à votre manuel d'autoclave pour des instructions précises.

Pour des renseignements à date sur les conserves, communiquer avec les compagnies qui fabriquent des produits de préparation des conserves.

L'utilisation de l'ustensile approprié fait une grande différence

- L'ustensile doit avoir un fond plat, des côtés droits et un couvercle qui ferme bien.
- Choisir un ustensile d'épaisseur moyenne à épaisse.
- Le matériau de l'ustensile (métal ou verre) influence la vitesse et l'uniformité du chauffage de l'ustensile.
- Lors de l'utilisation d'ustensiles de cuisson en verre ou en céramique, s'assurer que ces articles conviennent pour des brûleurs de surface.
- Pour éviter le basculement, s'assurer que les casseroles et ustensiles de cuisson sont bien centrés sur les grilles.

CARACTÉRISTIQUES DES MATÉRIAUX DES USTENSILES DE CUISSON

Le matériau d'un ustensile de cuisson affecte la vitesse de transfert de chaleur de la table de cuisson à travers le matériau de l'ustensile et comment la chaleur se répand également sur le fond de l'ustensile. Choisir des ustensiles de cuisson qui fournissent les meilleurs résultats de cuisson.

Aluminium	<ul style="list-style-type: none"> • Chauffe rapidement et également. • S'utilise pour tous les genres de cuisson. • Épaisseur moyenne ou épaisse convient le mieux pour la plupart des aliments. • Utilisé comme base dans les ustensiles de cuisson pour fournir une chaleur égale.
Fonte	<ul style="list-style-type: none"> • Chauffe lentement et également. • Bonne pour le brunissage et la friture. • Maintient la chaleur pour une cuisson lente. • Peut être émaillée en porcelaine.
Céramique ou vitrocéramique	<ul style="list-style-type: none"> • Chauffe lentement et inégalement. • S'utilise pour les réglages bas à moyen. • Suivre les instructions du fabricant.
Cuivre	<ul style="list-style-type: none"> • Chauffe très rapidement et également. • Utilisé comme base dans les ustensiles de cuisson pour fournir un chauffage égal.
Marmite en terre cuite	<ul style="list-style-type: none"> • Peut être utilisée pour la cuisson sur une table de cuisson, si recommandé par le fabricant. • Utilise des réglages de température basse.
Acier émaillé en porcelaine ou fonte émaillée	<ul style="list-style-type: none"> • Voir fonte et acier inoxydable.
Acier inoxydable	<ul style="list-style-type: none"> • Chauffe rapidement mais inégalement. • Un fond ou une base d'aluminium ou de cuivre sur l'ustensile de cuisson fournit un chauffage égal. • Peut être émaillé en porcelaine.

UTILISATION DU FOUR

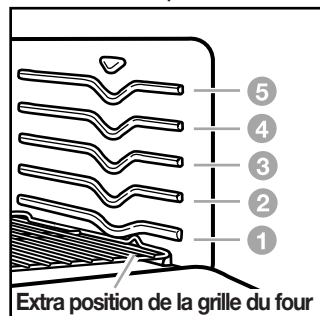
Position des grilles et plats

Placer les grilles du four où vous en avez besoin avant d'allumer le four.

- Pour retirer une grille, la tirer jusqu'à la position d'arrêt, soulever le bord avant et la retirer complètement.
- S'assurer que les grilles sont à niveau.
- Utiliser des mitaines de four pour protéger vos mains si les grilles doivent être déplacées pendant que le four est chaud.
- Pour le meilleur rendement, cuire sur une grille. Placer la grille de sorte que le sommet du mets est centré dans le four.
- Pour obtenir les meilleurs résultats, laisser 2 pouces (5 cm) d'espace autour de chaque plat et entre les plats et les parois du four.

Extra position de la grille du four (grille de rôtissage)

Utiliser cette position de la grille lors du rôtissage



d'aliments trop gros pour être placés sur la grille au niveau un. Pour le rôtissage approprié, observer ces directives :

- Pour éviter le renversement, retirer le mets avant de retirer la grille.

- Incliner la grille vers le haut à l'avant, avant de la retirer par-dessus la porte.

- Utiliser une quantité adéquate de liquide dans le plat (jus de viande ou d'eau) de sorte que votre mets ne devienne pas trop cuit.

Où placer les plats :

QUAND VOUS AVEZ	PLACEZ LA OU LES
1 plat	Au centre de la grille du four.
2 plats	Côte à côte ou légèrement décalés.
3 ou 4 plats	Dans les coins opposés sur chaque grille du four. Décaler les plats de sorte qu'aucune n'est directement au-dessus de l'autre.

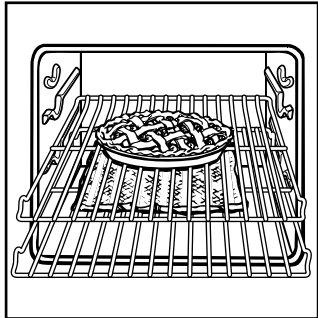
Position des grilles pour des mets spécifiques :

ALIMENTS	POSITION DE LA GRILLE
Tartes congelées, gros rôtis, dindons, gâteaux aux anges	1 ^{re} ou 2 ^e glissière de la grille à partir du fond
Gâteaux kouglofs, la plupart des pains de levée rapide, pains à la levure, mets en sauce, viandes	2 ^e glissière de la grille à partir du fond
Biscuits, muffins, gâteaux, tartes non congelées	2 ^e ou 3 ^e glissière de la grille à partir du fond

REMARQUE : Pour des renseignements où placer votre grille lors de la cuisson au gril, voir "Directives de cuisson au gril" plus loin dans cette section.

UTILISATION DE PAPIER D'ALUMINIUM

- **Ne pas garnir le fond du four avec une feuille d'aluminium, ou avec tout autre type de garniture ou d'ustensile. Le fond du four sera endommagé en permanence.**
- **Ne pas bloquer les événements au bas du four.**
- **Ne pas recouvrir** la totalité de la grille avec une



feuille d'aluminium. Ceci entraverait la circulation de l'air et la performance générale du four.

● **Pour récupérer les résidus** de renversement lors de la cuisson de tartes ou de mets en sauce, placer une feuille d'aluminium sur la grille en dessous. Relever les bords de la feuille d'aluminium et veiller à ce qu'elle déborde d'environ 1 po (2,5 cm) tout autour du plat.

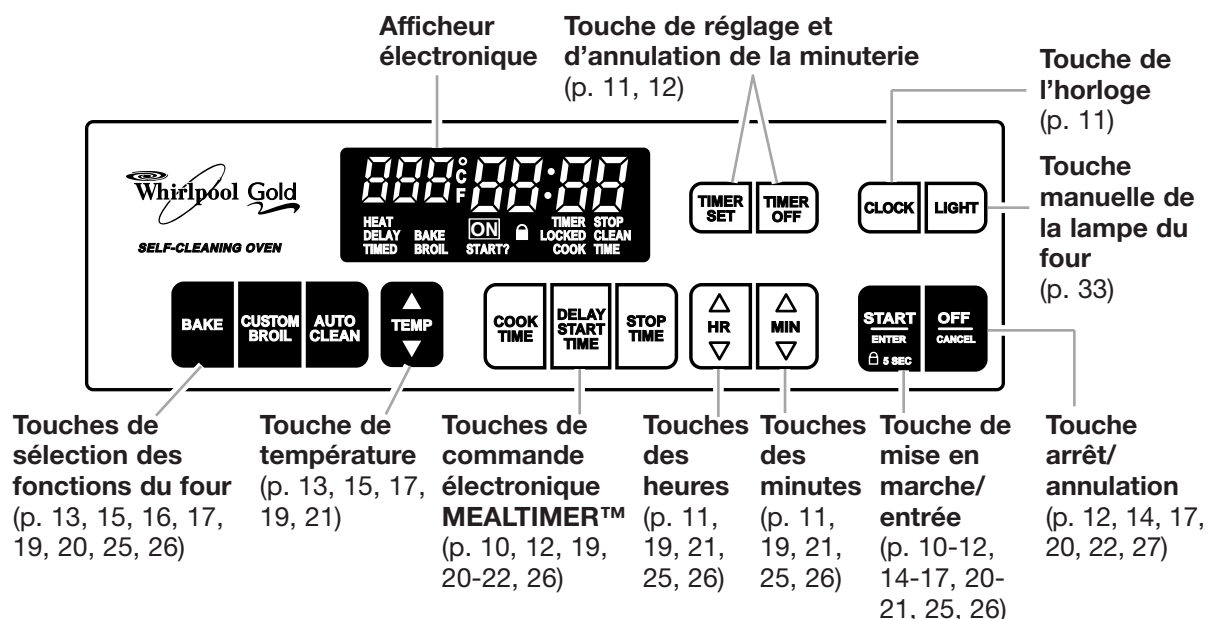
- **Placer une feuille d'aluminium en forme de tente** recouvrant la viande ou la volaille pour retarder le brunissage de la surface dans le cas d'une cuisson de longue durée. Enlever le papier d'aluminium pendant les 30 dernières minutes.
- **Utiliser des lisières étroites** de papier d'aluminium pour protéger les bords de la croûte à tarte si le brunissage survient trop rapidement.

CHOIX D'USTENSILES DE CUISSON

Les résultats de cuisson sont affectés par le genre d'ustensiles de cuisson utilisés. Utiliser les dimensions des ustensiles de cuisson recommandées par la recette.

TYPE D'USTENSILES DE CUISSON	USAGE PRÉFÉRENTIEL POUR	DIRECTIVES
Aluminium légèrement coloré	<ul style="list-style-type: none"> • Croûtes légèrement dorées • Brunissement égal 	<ul style="list-style-type: none"> • Utiliser une température et une durée recommandées dans la recette.
Aluminium foncé et autres ustensiles de cuisson avec fini foncé, terne et/ou non adhésif	<ul style="list-style-type: none"> • Croûtes brunes, croustillantes 	<ul style="list-style-type: none"> • Peut réduire la température de cuisson de 25°F (14°C). • Utiliser la durée de cuisson suggérée. • Utiliser la température et la durée recommandées par la recette pour tartes, pains et mets en sauce. • Placer la grille au centre du four.
Plat en verre, vitrocéramique ou céramique allant au four	<ul style="list-style-type: none"> • Croûtes brunes, croustillantes 	<ul style="list-style-type: none"> • Peut réduire la température de cuisson de 25°F (14°C).
Tôles à biscuits isolées ou moules à cuisson	<ul style="list-style-type: none"> • Brunissement faible ou non existant à la base 	<ul style="list-style-type: none"> • Placer à la troisième position au bas du four. • Peut exiger d'augmenter le temps de cuisson.
Acier inoxydable	<ul style="list-style-type: none"> • Croûtes dorées, légères • Brunissement inégal 	<ul style="list-style-type: none"> • Peut exiger d'augmenter le temps de cuisson.
Plat en grès	<ul style="list-style-type: none"> • Croûtes croustillantes 	<ul style="list-style-type: none"> • Suivre les instructions du fabricant.

LA COMMANDE ÉLECTRONIQUE DU FOUR



Afficheur/horloge

- Lors du branchement initial de la cuisinière, tout l'afficheur s'allumera pendant 1 ou 2 secondes, puis une heure du jour et l'indication "PF" apparaîtront sur l'afficheur de la température. Appuyer sur OFF/CANCEL pour effacer "PF" de l'afficheur. Si après le réglage de l'horloge (voir "Réglage de l'horloge" plus loin dans cette section), l'indication "PF" apparaît de nouveau sur l'afficheur, il y a eu une panne de courant. Régler de nouveau l'horloge au besoin.
- Lorsque le four n'est pas utilisé, la commande est une horloge précise.
- Lors de l'utilisation du four ou de la minuterie, l'afficheur indiquera les durées, réglages de température et sur quelles touches de commande on a appuyé.
- L'indicateur de l'heure normale affiche l'heure et les minutes.
- Lors de l'utilisation de la minuterie, l'afficheur indique les minutes et les secondes dans la séquence suivante :
 - Pour les réglages de 1 à 59 minutes, l'afficheur compte à rebours chaque seconde.
 - Pour les réglages de une heure et plus, l'afficheur compte à rebours chaque minute.
- Lors de l'utilisation des touches cook time et/ou stop time, l'afficheur indique les heures et les minutes ou les minutes et les secondes.




Utilisation du verrouillage des commandes

Le verrouillage des commandes vous permet de désactiver les touches de commande sur le tableau. Le verrouillage des commandes est pratique lorsque vous désirez empêcher d'autres personnes d'utiliser le four.

REMARQUES :


- On peut seulement utiliser la fonction de verrouillage lorsque le four n'est pas utilisé ou n'a pas été réglé.
- Activer le verrouillage lors du nettoyage du tableau de commande pour empêcher une mise en marche accidentelle du four.
- La commande de verrouillage restera en service même après une panne de courant.

Verrouillage du tableau de commande :

Appuyer sur la touche START/ENTER pendant 5 secondes. Vous entendrez un seul signal sonore et "Loc" et  apparaîtront sur l'afficheur de température. Lorsque la commande de verrouillage est en service, "START?" apparaîtra sur l'afficheur et 3 signaux sonores se feront entendre si vous appuyez sur toute touche de commande autres que celles de l'horloge ou de la minuterie.



Déverrouillage du tableau de commande :

Appuyer sur la touche START/ENTER pendant 5 secondes. Vous entendrez 3 signaux sonores suivis d'un seul signal sonore. "Loc" et  disparaîtront de l'afficheur de température.



RÉGLAGE DE L'HORLOGE

1. Appuyer sur CLOCK.

APPUYER SUR



AFFICHAGE



2. Réglage de l'heure.

Appuyer sur les touches vers le haut (▲) ou vers le bas (▼) jusqu'à ce que l'heure correcte soit affichée.

APPUYER SUR



AFFICHAGE



(exemple pour 5 h 30)

3. Mise en marche de l'horloge.

REMARQUE : Si vous ne voulez pas voir l'affichage de l'heure, appuyez sur la touche CLOCK pendant 5 secondes. Pour afficher de nouveau l'heure, appuyez sur la touche CLOCK pendant 5 secondes. Vous ne devriez pas avoir à régler de nouveau l'heure.

APPUYER SUR



OU

AFFICHAGE



UTILISATION DE LA MINUTERIE ÉLECTRONIQUE

La minuterie ne commande pas la mise en marche ou l'arrêt du four. Elle fonctionne comme une minuterie de cuisine. On peut la régler pour une période qui peut atteindre jusqu'à 12 heures, 59 minutes. La minuterie affichera les minutes et les secondes pour les réglages de moins de une heure. Vous entendrez quatre signaux sonores de 1 seconde à la fin du compte à rebours.

1. Appuyer sur TIMER SET.

APPUYER SUR



AFFICHAGE



2. Régler l'intervalle qui doit être minuté.

Appuyer sur vers le haut (▲) ou vers le bas (▼) jusqu'à ce que l'intervalle apparaisse sur l'afficheur.

APPUYER SUR



AFFICHAGE



(exemple pour 10 minutes)

3. Mise en marche de la minuterie.

La minuterie commence le compte à rebours immédiatement après la mise en marche de la minuterie.

APPUYER SUR



AFFICHAGE



(l'affichage compte à rebours)

UTILISATION DE LA MINUTERIE ÉLECTRONIQUE (SUITE)

Lorsque le compte à rebours est terminé :
Vous entendrez quatre signaux sonores de 1 seconde, puis quatre signaux de rappel de 1 seconde à toutes les minutes jusqu'à ce que vous appuyiez sur la touche timer off.

REMARQUE : Pour supprimer les signaux sonores de rappel, appuyer sur la touche TIMER SET pendant 5 secondes. Pour remettre les signaux sonores en service, refaire la même étape. L'affichage indique "OFF" lorsque les signaux sonores sont annulés et "ON" quand ils sont en service.

AFFICHAGE



4. Éteindre la minuterie.

APPUYER SUR



AFFICHAGE



(heure du jour)

Pour annuler la minuterie :

Appuyer sur TIMER OFF.

APPUYER SUR



AFFICHAGE



(heure du jour)

MISE EN MARCHE/ANNULATION D'UNE FONCTION

Après le réglage d'une fonction, on doit appuyer sur la touche START/ENTER pour commencer la fonction. Si on n'appuie pas sur START/ENTER en deçà de 5 secondes du réglage, "START?" apparaît sur l'afficheur à titre de rappel.



La touche OFF/CANCEL annulera toute fonction sauf l'horloge, la minuterie ou le verrouillage des commandes. Quand on appuie sur OFF/CANCEL, l'afficheur indique l'heure du jour ou, si la minuterie est utilisée, le temps qui reste.



SIGNAUX SONORES

Les signaux sonores vous indiquent si une fonction a été entrée correctement ou non. Ils vous signalent également la fin d'un programme.

Pour annuler tous les signaux sonores sauf la fin de la minuterie et les signaux d'erreur :

Appuyer sur STOP TIME pendant 5 secondes. Un signal sonore bref vous indiquera que les signaux sonores ont été changés. Répéter pour remettre les signaux sonores en service. L'affichage indiquera "OFF" pendant 3 secondes lorsque les signaux sonores sont annulés et "ON" pendant 3 secondes quand ils sont remis en service.



Pour choisir entre des signaux sonores de volumes élevé et faible :

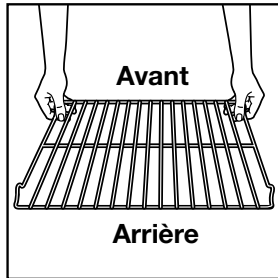
Appuyer sur DELAY START TIME pendant 5 secondes. Un signal sonore bref vous indique que les signaux sonores ont été changés. La mention "HI" ou "LO" apparaît sur l'affichage pendant 3 secondes pour indiquer le volume choisi.



CUISSON AU FOUR/RÔTISSAGE

Votre four est conçu avec le système de gestion de la température ACCUBAKE® pour contrôler constamment la température du four. Le brûleur fonctionnera par intermittence au besoin pour maintenir la température désirée. Cette caractéristique est activée automatiquement lorsque le four est utilisé.

1. Placer les grilles selon vos besoins. Pour plus de



renseignements, voir "Positionnement des grilles" à "Utilisation du four" précédemment dans cette section.

2. Choisir le réglage de cuisson au four.

APPUYER SUR



AFFICHAGE



3. Régler la température (facultatif).

Effectuer cette étape si vous désirez régler une température autre que 350°F (177°C). Appuyer sur ▲ pour augmenter la température ou ▼ pour diminuer la température en tranches de 5°F (3°C). Utiliser ces touches jusqu'à ce que la température désirée apparaisse sur le petit afficheur.

APPUYER SUR

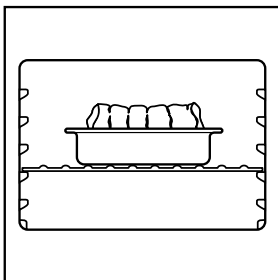


AFFICHAGE



(exemple pour cuisson à 375°F [190°C])

4. Lors du rôtissage, mettre le mets dans le four. Il n'est pas nécessaire de préchauffer le four lors du rôtissage à moins que la recette ne le recommande.



Rôtissage de viandes et de volaille

- Pour obtenir une cuisson uniforme, placer la viande sur une grille dans un plat de faible hauteur. Ceci garde la viande au-dessus du jus qui dégoutte et permet à la chaleur de mieux circuler.
- Utiliser un thermomètre à viande pour la cuisson à point la plus précise. Insérer le thermomètre de telle sorte que la pointe se trouve au centre du muscle le plus gros ou de la partie la plus épaisse de la viande ou de la volaille. S'assurer que le thermomètre ne touche pas un os, la partie grasse ou le fond du plat.

suite à la page suivante

CUISSON AU FOUR/RÔTISSAGE (SUITE)

5. Appuyer sur START/ENTER.

Un temps de préchauffage de préparation compte à rebours le temps approximatif de préchauffage lorsque la température du four a été réglée et que l'ou a appuyé sur la touche START. Les témoins lumineux de chaleur, cuisson et marche s'allumeront. La commande du four règle automatiquement les temps de préchauffage basés sur la température du four que vous choisissez :

- Pour une température de 245°F (118°C) et moins, le temps de préchauffage est de 4 minutes.
- Pour 250°F à 445°F (121°C à 229°C), le temps de préchauffage est de 10 minutes.
- Pour une température au-dessus de 450°F (232°C), le temps de préchauffage est de 15 minutes.

Lorsque le conditionnement de préchauffage prend fin, la température de four choisie remplace "PrE" sur l'affichage et l'heure du jour réapparaît. On entend un signal sonore de 1 seconde indiquant que le four est prêt à utiliser.

Le système ACCUBAKE® règle électroniquement le temps de préchauffage et la température pour maintenir une gamme de températures précises dans le but d'obtenir les meilleurs résultats de cuisson. Les températures de préchauffage et de cuisson peuvent être différentes à la fin du compte à rebours. Ceci est normal.

APPUYER SUR



AFFICHAGE



(exemple pour le réglage de la température à 350°F [177°C])

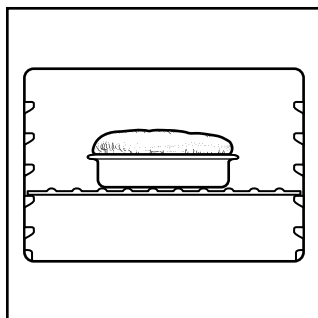
AFFICHAGE



REMARQUES :

- Lorsque la température du four dépasse 170°F (77°C), aucun temps de préchauffage de préparation ne sera affiché.
- On peut changer le réglage de la température à tout moment après avoir appuyé sur START/ENTER. Vous n'avez pas à appuyer de nouveau sur START/ENTER.
- Le temps de préchauffage de préparation ne changera pas si vous réglez de nouveau la température avant la fin du compte à rebours.
- Si vous faites la cuisson au four/rôtissage pendant que la minuterie compte à rebours, vous pouvez voir la température réglée pour cuisson/rôtissage en appuyant pendant 5 secondes sur BAKE.

6. Lors de la cuisson au four, placer votre mets dans



le four après la fin du temps de préchauffage de préparation. Au cours de la cuisson au four/rôtissage, le brûleur du four s'allumera et s'éteindra pour maintenir la température du four au réglage choisi.

Économie d'énergie

- Pour éviter la perte de chaleur, ouvrir la porte du four aussi rarement que possible.
- Utiliser une minuterie pour demeurer au courant du temps de cuisson.
- Planifier vos repas pour l'utilisation la plus efficace du four en cuisant plus d'un aliment à la fois, ou en cuisant un aliment pendant que le four est encore chaud après la cuisson d'un repas.

7. Après la cuisson, éteindre le four.

APPUYER SUR



AFFICHAGE



(heure du jour)

RÉGLAGE DE LA TEMPÉRATURE DU FOUR

Bien que le four ait été convenablement réglé pour qu'il indique des températures précises, il se peut que la cuisson soit plus rapide ou plus lente que dans le four que vous avez utilisé auparavant.

Si vous n'êtes pas satisfait des résultats de cuisson au four/rôtissage, on peut corriger la température en suivant les étapes ci-dessous.

REMARQUE : NE PAS mesurer la température dans le four avec un thermomètre. L'ouverture de la porte du four susciterait une baisse de la température dans le four et on obtiendrait une mesure incorrecte. De plus, l'indication du thermomètre varierait du fait d'une alimentation intermittente du brûleur.

1. Appuyer sur la touche BAKE pendant 5 secondes.

L'affichage indiquera l'écart de température courant, par exemple "0", si vous n'avez pas déjà ajusté la température.

APPUYER SUR



AFFICHAGE



(réglage à l'usine de "00")

2. Réglage de la nouvelle correction de température.

Appuyer sur la touche ▲ pour augmenter la température ou ▼ pour abaisser la température en quantités de 10°F (6°C). On peut sélectionner une correction de température jusqu'à -30°F (-17°C) ou aussi élevée que +30°F (+17°C). Un signe - (moins) sera affiché avant le chiffre lorsque le réglage de la température baisse. Un signe moins montre que le four sera plus refroidi par ce nombre de degrés affichés. Il n'y a aucun signe en avant du chiffre lorsqu'il s'agit d'une augmentation de la température.

APPUYER SUR



AFFICHAGE



(exemple lors de l'augmentation de la température du four de 10°F [6°C])

3. Entrée de la correction.

REMARQUE : La commande du four demeurera ajustée même après une panne d'électricité.

APPUYER SUR



AFFICHAGE



(heure du jour)

Pour afficher les températures en degrés C plutôt que degrés F :

Appuyer sur la touche custom broil pendant 5 secondes. Vous entendrez un bref signal sonore et les températures affichées changeront à °C. Pour retourner aux degrés F, répéter les instructions ci-dessus. Chaque fois qu'un changement est effectué, "°C" ou "°F" est affiché pendant 5 secondes.



RÉGLAGE DE LA TEMPÉRATURE DU FOUR (SUITE)

Comment déterminer la correction de température nécessaire.

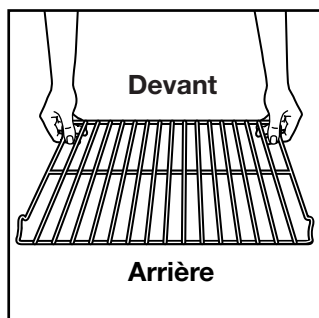
Le tableau ci-contre indique la correction de température à utiliser pour l'obtention des résultats de cuisson désirés. On peut évaluer les résultats de cuisson en termes de brunissage et d'hydratation, et de la période de levée des pains ou gâteaux.

POUR QUE LE METS SOIT...	AJUSTER LA TEMPÉRATURE SELON LE NOMBRE DE DEGRÉS
Un peu plus cuit	+10°F (+ 6° C)
Modérément plus cuit	+20°F (+11° C)
Beaucoup plus cuit	+30°F (+17° C)
Un peu moins cuit	-10°F (- 6° C)
Modérément moins cuit	-20°F (-11° C)
Beaucoup moins cuit	-30°F (-17° C)

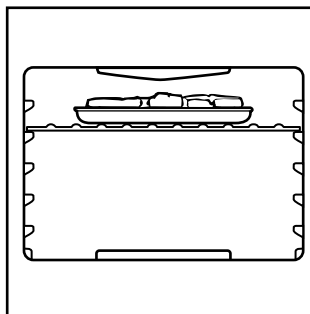
CUISSON AU GRIL

REMARQUE : Ne pas préchauffer le four lors de la cuisson au gril, excepté si la recette le recommande.

1. Positionner la grille selon les besoins. Voir "Directives pour la cuisson au gril," plus loin dans cette section.



2. Placer votre mets sur un plat de cuisson au gril et placer le plat au centre de la grille du four.



3. Fermer la porte.

4. Appuyer sur CUSTOM BROIL.

APPUYER SUR



AFFICHAGE



5. Mettre le four en marche.

Il est possible de modifier le réglage de température en tout temps avant ou après avoir appuyé sur START/ENTER. Pour modifier le réglage, voir "Pour la cuisson au gril à une température plus basse" plus loin dans cette section. Après avoir changé de réglage, il n'est pas nécessaire d'appuyer sur START/ENTER de nouveau.

APPUYER SUR



AFFICHAGE



CUISSON AU GRIL (SUITE)

6. Après la cuisson au gril, éteindre le four.

APPUYER SUR



AFFICHAGE



(heure du jour)

Pour la cuisson au gril personnalisée à une température plus basse :

- Si le mets cuit trop rapidement, appuyer sur la touche ▼ TEMP jusqu'à ce que 325°F (163°C) apparaisse sur l'affichage.

APPUYER SUR



AFFICHAGE



(l'exemple montre le gril à 325°F [163°C])

- Si vous désirez que l'aliment cuise au gril plus lentement au départ, appuyer sur CUSTOM BROIL et appuyer sur la touche de température ▼ TEMP de sorte qu'une température entre 300°F et 525°F (149°C et 274°C) sera affichée. Appuyer sur START/ENTER.

Les réglages de température plus basse laissent le brûleur du gril exécuter le programme et ralentir les résultats de cuisson. Plus la température est basse, plus la cuisson est lente.

REMARQUE : Le poisson et la volaille peuvent mieux cuire si vous utilisez des températures de gril plus basses.

APPUYER SUR



AFFICHAGE



(l'exemple montre le gril à 400°F [204°C])



AFFICHAGE



Conseils pour la cuisson au gril

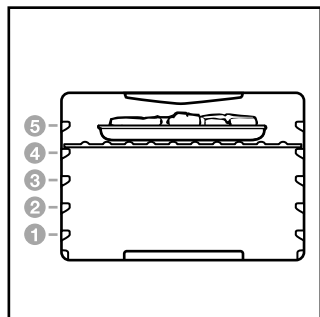
- Utiliser seulement la lèchefrite et sa grille de cuisson au gril fournies. Ces articles sont conçus pour capter les jus de la surface de cuisson. Cet écoulement aide à empêcher les éclaboussures et la fumée.
- Pour s'assurer que les jus coulent bien, ne pas couvrir la grille de papier d'aluminium.
- Enlever l'excès de gras pour réduire les éclaboussures. Entailler la graisse autour d'un morceau de viande pour l'empêcher de se cintrer.
- Utiliser des pinces pour tourner la viande afin d'éviter de perdre les jus.
- Retirer la grille du four jusqu'à la butée avant de tourner ou d'enlever l'aliment.
- Après la cuisson au gril, retirer la lèchefrite du four lorsqu'on enlève l'aliment. Les liquides qui coulent cuiront dans la lèchefrite s'ils sont laissés dans le four chauffé, rendant ainsi le nettoyage plus difficile.
- Pour un nettoyage plus facile, garnir le fond de la lèchefrite avec du papier d'aluminium. Nettoyer la lèchefrite et sa grille aussitôt que possible après chaque utilisation.

suite à la page suivante

CUISSON AU GRIL (SUITE)

Conseils pour la cuisson au grill (suite)

Les positions de grille recommandées sont



numérotées de bas (1) en haut (5). Pour obtenir les meilleurs résultats, placer le mets à 3 po (7 cm) ou plus de l'élément du grill et retourner la viande après environ $\frac{2}{3}$ du temps de grillage. Retourner les morceaux de poulet après environ la moitié du temps de

grillage. Pour les coupes très minces, tels que les filets de poisson, il n'est probablement pas nécessaire de les retourner. On ne retourne pas les queues de homard.

VIANDE	POSITION DE LA GRILLE	TEMPS APPROXIMATIF (MINUTES)	
		CÔTÉ 1	CÔTÉ 2
Steak, 1 po (2,5 cm) d'épaisseur	4		
à point saignant		14-15	7-8
à point		15-16	8-9
bien cuit		18-19	9-10
Boulettes de viande hachée, 3/4 po (2 cm) d'épaisseur, bien cuites	4	13-14	6-7
Côtelettes de porc, 1 po (2,5 cm) d'épaisseur	4	21-22	10-11
Tranche de jambon, 1/2 po (1,25 cm) d'épaisseur, précuit	4	8-10	4-5
Saucisses de Francfort	4	6-7	3-4
Poulet			
morceaux avec os	3	18-20	18-20
poitrine désossée	4	12-16	11-16
Poisson			
filets, 1/4- 1/2 po (0,6 – 1,3 cm) d'épaisseur	4	8-10	4-5

UTILISATION DE LA COMMANDE ÉLECTRONIQUE MEALTIMER™

La commande électronique MEALTIMER allumera le four et l'éteindra aux heures que vous avez réglées, même si vous n'êtes pas présent.

Un temps de cuisson/rôtissage différé est idéal pour les aliments qui ne nécessitent pas le préchauffage du four, comme les viandes et les mets en sauce. **Ne pas utiliser la cuisson différée pour les gâteaux, biscuits, etc. Les pâtes ne lèveront pas convenablement.**

Avant d'utiliser la commande électronique MEALTIMER, s'assurer que l'horloge est à la bonne heure du jour. (Revoir la section "Réglage de l'horloge".)

⚠️ AVERTISSEMENT

Risque d'empoisonnement alimentaire

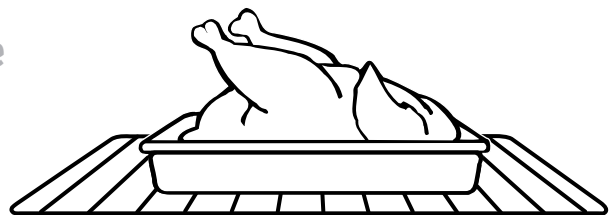
Ne pas laisser des aliments dans un four plus d'une heure avant ou après la cuisson.

Le non-respect de cette instruction peut causer un empoisonnement alimentaire ou une maladie.

Mise en marche immédiate d'une opération de cuisson au four/rôtissage avec arrêt automatique

1. Placer convenablement les ou la grille du four et placer le mets dans le four.

Pour la position correcte des grilles, voir la section "Position des grilles et plats" à la section "Utilisation du four" au début de cette section.



2. Choisir le réglage de cuisson.

APPUYER SUR



AFFICHAGE



3. Régler la température (facultatif).

Exécuter cette étape si vous désirez régler une température autre que 350°F (177°C). Appuyer sur ▲ pour augmenter la température ou sur ▼ pour baisser la température en tranches de 5°F (3°C). Utiliser ces touches jusqu'à ce que la température voulue soit indiquée sur le petit afficheur.

APPUYER SUR



AFFICHAGE



(exemple montrant la cuisson à 375°F [191°C])

4. Appuyer sur COOK TIME.

APPUYER SUR



AFFICHAGE



5. Régler la durée de la cuisson.

Appuyer sur (▲) vers le haut ou sur (▼) vers le bas jusqu'à ce que le temps correct soit affiché.

APPUYER SUR



AFFICHAGE



(exemple montrant une durée de cuisson au four/rôtissage de 30 minutes)

suite à la page suivante

UTILISATION DE LA COMMANDE ÉLECTRONIQUE MEALTIMER™ (SUITE)

6. Mettre le four en marche.

REMARQUES :

- On peut changer les réglages de température ou de durée à tout moment après avoir appuyé sur START/ENTER en répétant les étapes 3 ou 5. Il n'est pas nécessaire d'appuyer sur START/ENTER.
- L'affichage comptera à rebours le temps de cuisson au four/rôtissage en heures et minutes (si le temps de cuisson est plus d'une heure) ou en minutes et secondes (si la durée de cuisson est moins que une heure).

APPUYER SUR



AFFICHAGE



(l'affichage procède au compte à rebours)

7. Une fois la cuisson ou le rôtissage terminé :

Le four s'éteindra de lui-même et émettra un signal sonore 4 fois. Vous entendrez également quatre signaux sonores de 1 seconde toutes les minutes jusqu'à ce que vous appuyiez sur OFF/CANCEL.

REMARQUE : Pour supprimer les signaux sonores de rappel, appuyer sur la touche COOK TIME pendant 5 secondes. Pour remettre les signaux sonores en service, répéter cette étape. Vous verrez "OFF" lorsque les signaux sonores sont supprimés et "ON" lorsqu'ils sont en service.

AFFICHAGE



8. Éteindre le four.

REMARQUE : On peut éteindre le four à tout moment pour annuler le réglage de la commande MEALTIMER.

APPUYER SUR



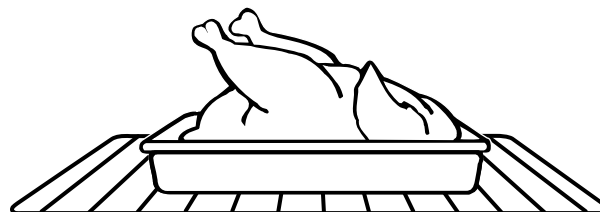
AFFICHAGE



(heure du jour)

Pour différer la mise en marche et l'arrêt automatiquement :

1. Placer les ou la grille du four convenablement et placer le mets dans le four. Pour la position correcte des grilles, voir "Position des grilles et plats" dans "Utilisation du four" au début de cette section.



2. Choisir le réglage de cuisson au four.

APPUYER SUR



AFFICHAGE



UTILISATION DE LA COMMANDE ÉLECTRONIQUE MEALTIMER™ (SUITE)

3. Réglage de la température (facultatif).

Exécuter cette étape si vous désirez régler une température autre que 350°F (177°C). Appuyer sur ▲ TEMP pour augmenter la température ou sur ▼ TEMP pour baisser la température en tranches de 5°F (3°C). Utiliser ces touches jusqu'à ce que la température voulue soit indiquée sur le petit afficheur.

APPUYER SUR



AFFICHAGE



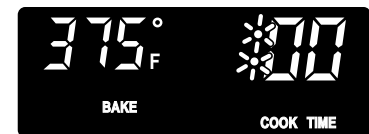
(exemple montrant la cuisson à 375°F [191°C])

4. Appuyer sur COOK TIME.

APPUYER SUR



AFFICHAGE



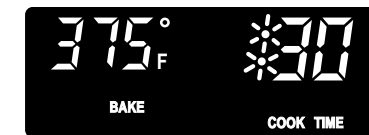
5. Régler la durée de cuisson.

Appuyer sur (▲) vers le haut ou sur (▼) vers le bas jusqu'à ce que le temps correct soit affiché.

APPUYER SUR



AFFICHAGE



(exemple montrant une durée de cuisson au four/rôtissage de 30 minutes)

6. Appuyer sur DELAY START TIME.

APPUYER SUR



AFFICHAGE



7. Régler l'heure de mise en marche.

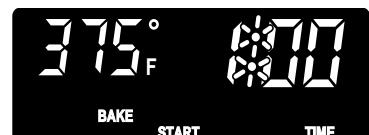
Appuyer sur la touche vers le haut (▲) ou vers le bas (▼) jusqu'à ce que le temps correct apparaisse sur l'afficheur.

L'exemple à droite montre l'heure de mise en marche choisie de 1:00. Le four s'éteindra de lui-même à 1:30 (le temps de mise en marche plus le temps de cuisson).

APPUYER SUR



AFFICHAGE



(exemple montrant un début de cuisson à 1:00)

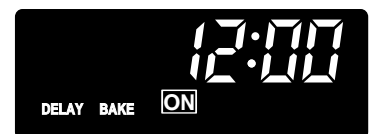
8. Appuyer sur START/ENTER.

REMARQUE : On peut changer les réglages de température ou de durée à tout moment après avoir appuyé sur START/ENTER, en répétant les étapes 2 à 7 inclusivement.

APPUYER SUR



AFFICHAGE



suite à la page suivante

UTILISATION DE LA COMMANDE ÉLECTRONIQUE MEALTIMER™ (SUITE)

9. Lorsque le temps de mise en marche est atteint :

Vous entendrez un signal sonore d'une seconde. L'affichage comptera à rebours le temps de cuisson au four/rôtissage qui reste en heures et minutes (si la durée de cuisson dépasse une heure) ou en minutes et secondes (si le temps de cuisson est moindre que une heure).

AFFICHAGE



(l'afficheur compte à rebours le temps de cuisson)

10. Lorsque la cuisson au four/rôtissage est terminée :

Le four s'éteindra de lui-même et laissera entendre un signal sonore 4 fois. Vous entendrez également quatre signaux sonores de 1 seconde toutes les minutes jusqu'à ce que vous appuyiez sur OFF/CANCEL.

REMARQUE : Pour supprimer les signaux sonores de rappel, appuyer sur la touche COOK TIME pendant 5 secondes. Pour remettre les signaux sonores en service, répéter cette étape. Vous verrez "OFF" lorsque les signaux sonores sont supprimés et "ON" lorsqu'ils sont en service.

AFFICHAGE



11. Éteindre le four.

REMARQUE : Vous pouvez exécuter cette étape à tout moment pour annuler le réglage de commande MEALTIMER.

APPUYER SUR



AFFICHAGE

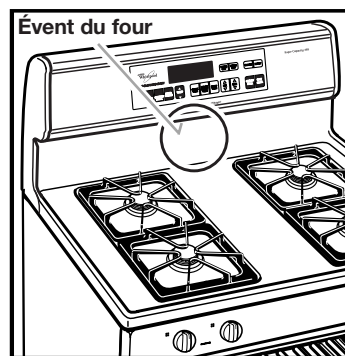


(heure du jour)

L'ÉVENT DU FOUR

L'air chaud et la vapeur d'eau s'échappent du four par un évent situé près du centre du dossier. L'évent laisse circuler l'air convenablement. S'assurer de ne pas obstruer l'évent, sinon vous obtiendrez de piètres résultats de cuisson au four/rôtissage.

REMARQUE : Ne jamais entreposer des produits en plastique, en papier ou autres articles qui pourraient fondre ou brûler près de l'évent du four, ou près d'un brûleur de surface.

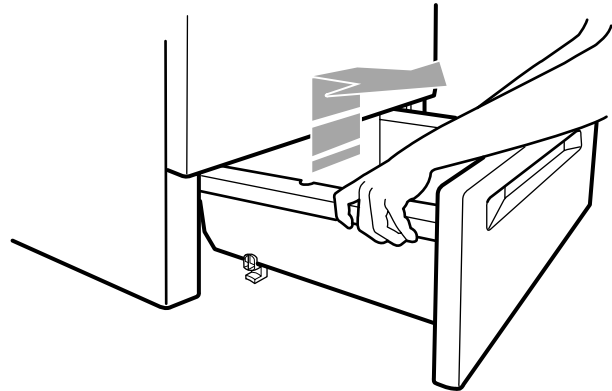


LE TIROIR DE REMISAGE

Utiliser le tiroir de remisage pour garder les ustensiles de cuisson. On peut enlever le tiroir pour nettoyer plus facilement le dessous de la cuisinière.

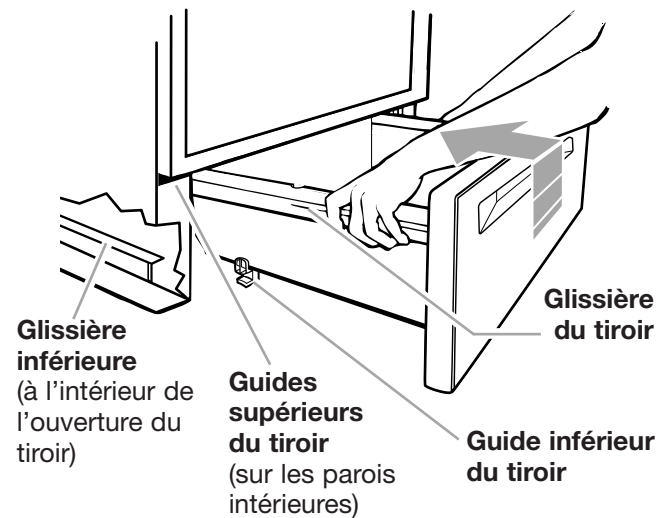
Retrait du tiroir de remisage

1. Avant d'enlever le tiroir, retirer du tiroir tous les ustensiles qu'il contient. Retirer le tiroir droit jusqu'à la première butée. (Les butées sont de petits objets ronds formés dans la glissière latérale. Ces butées empêchent le tiroir de glisser complètement vers l'extérieur.) Ensuite soulever l'avant du tiroir et le tirer jusqu'à la seconde butée.
2. Soulever légèrement l'arrière et faire glisser le tiroir pour l'extraire complètement.



Réinstallation du tiroir de remisage

1. Placer le tiroir de sorte que les glissières inférieures du tiroir reposent juste à l'intérieur du rebord avant du cadre.
2. Soulever le devant du tiroir et pousser jusqu'à ce que les butées métalliques sur les glissières latérales du tiroir soient dégagées des guides supérieurs du tiroir. Ensuite, fermer complètement le tiroir.



UTILISATION DU PROGRAMME D'AUTONETTOYAGE

! AVERTISSEMENT



Risque de brûlures

- Ne pas toucher le four au cours du programme d'autonettoyage.
- Garder les enfants loin du four au cours du programme d'autonettoyage.
- Ne pas utiliser de produits commerciaux de nettoyage de four dans le four.
- Le non-respect de ces instructions peut causer des brûlures ou une maladie provenant de la respiration d'émanations dangereuses.

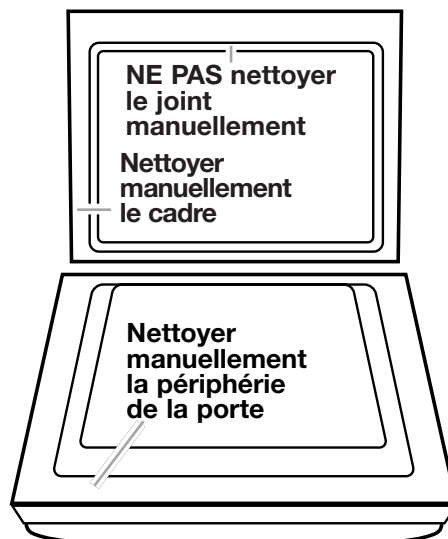
AVANT LA MISE EN MARCHÉ

Avant de mettre le programme d'autonettoyage en marche, veiller à :

REMARQUE : NE PAS nettoyer, déplacer ou déformer le joint. Ceci susciterait un nettoyage, une cuisson au four et un rôtissage de qualité médiocre.

- Nettoyer manuellement les surfaces illustrées. Ces surfaces ne deviennent pas suffisamment chaudes au cours de l'opération d'autonettoyage pour que les souillures soient désintégrées. Pour le nettoyage, utiliser de l'eau chaude et un détergent ou un tampon à récurer de laine d'acier savonneux.
- NE PAS laisser l'eau, nettoyant, etc. pénétrer dans les fentes sur la porte et le cadre.
- Enlever la lèchefrite et sa grille, et tout autre ustensile de cuisson rangé dans le four.
- Essuyer la surface pour éliminer toute souillure ou graisse dégagées. Ceci minimisera l'émission de fumée au cours de l'opération d'autonettoyage.
- Essuyer les renversements de nourriture contenant du sucre aussitôt que possible après le refroidissement du four. Lorsque le sucre est chauffé à une température élevée dans le programme d'autonettoyage, la haute température peut causer au sucre de brûler et de réagir avec la porcelaine. Cette action peut causer des taches et des piqûres.
- Retirer les grilles du four si on désire qu'elles demeurent brillantes. On peut soumettre les grilles à l'autonettoyage, mais elles deviendront plus difficiles à coulisser. (Voir "Tableau de nettoyage" à la section "Entretien de votre appareil ménager".) Si vous nettoyez les grilles au programme d'autonettoyage, les placer sur les deuxième et quatrième guides de grille. (Les guides sont comptées du bas vers le haut.)
- L'émission de chaleur et d'odeurs est normale durant le programme d'autonettoyage. Garder la cuisine bien aérée en ouvrant une fenêtre ou en faisant fonctionner la hotte d'aspiration ou tout autre accessoire de ventilation de la cuisine.

IMPORTANT : La santé de certains oiseaux est très sensible aux émanations qui existent lors du programme d'autonettoyage. L'exposition à ces émanations peut faire mourir certains oiseaux. Déplacer toujours les oiseaux dans une autre pièce bien aérée.



CONSEILS :

- Garder la cuisine bien aérée durant le programme d'autonettoyage pour aider à éliminer la chaleur, les odeurs et la fumée.
- Nettoyer le four avant qu'il ne devienne très sale. Le nettoyage d'un four très sale prend plus de temps et cause plus de fumée que d'habitude.
- Ne pas obstruer l'évent durant le programme d'autonettoyage. L'air doit se déplacer librement pour les meilleurs résultats de cuisson.
- Ne pas laisser d'ustensiles en plastique sur la table de cuisson. Les articles fondront.
- Ne pas laisser une feuille de papier métallique dans le four durant le programme d'autonettoyage. Le papier métallique peut brûler ou fondre et endommager la surface du four.
- La lampe du four ne fonctionnera pas durant le programme d'autonettoyage.

RÉGLAGE DES COMMANDES

REMARQUE : S'assurer que l'horloge est réglée à la bonne heure du jour. (Voir "Réglage de l'horloge" à la section "Utilisation de la cuisinière".)

Pour commencer le nettoyage immédiatement :

1. Appuyer sur AUTO CLEAN.

Ce réglage établira automatiquement un programme d'autonettoyage de 3½-heures.

REMARQUE : Il y aura une période de refroidissement de 30 minutes, une demi-heure avant la fin du programme.

APPUYER SUR



AFFICHAGE



2. Régler la durée de l'opération d'autonettoyage (facultatif).

Si vous désirez un programme d'autonettoyage plus long ou plus court que 3½ heures, utiliser les touches d'heures et de minutes pour régler le temps de nettoyage désiré. Appuyer sur les touches vers le haut (▲) ou vers le bas (▼) jusqu'à ce qu'une durée entre 2½ et 4½ heures soit affichée.

- Utiliser 2½ pour des souillures légères.
- Utiliser 3½ à 4½ heures pour des souillures de moyennes à intenses.

APPUYER SUR



AFFICHAGE



(l'exemple montre une durée de nettoyage de 4½ heures)

3. Mettre le four en marche.

S'assurer que la porte est complètement fermée. Si la porte est ouverte, même un peu, il n'y aura pas de verrouillage. Appuyer sur la porte pour la fermer, au besoin. Si la porte est fermée, elle se verrouillera dès que vous appuyez sur START/ENTER.

APPUYER SUR



AFFICHAGE



4. Après le programme d'autonettoyage le termine :

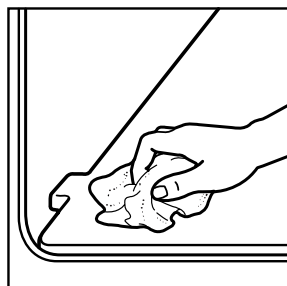
"LOCKED" disparaît et la porte est déverrouillée.

AFFICHAGE



5. Appuyer sur n'importe quelle touche ou ouvrir la porte pour effacer "End" et réafficher l'heure.

6. Lorsque le four a refroidi à la température de la



pièce, essuyer tous les résidus ou les cendres avec un chiffon ou une éponge humide. Au besoin, toucher les taches avec un nettoyant doux abrasif ou avec une éponge à nettoyer.

RÉGLAGE DES COMMANDES (SUITE)

Mise en marche différée à l'aide de la touche delay start time :

1. Appuyer sur AUTO CLEAN.

Ceci règle automatiquement un programme d'autonettoyage de 3½ heures.

REMARQUE : Il y aura une période de refroidissement de 30 minutes, une demi-heure avant la fin du programme.

APPUYER SUR



AFFICHAGE



2. Régler le temps de nettoyage (facultatif).

Si vous désirez un programme d'autonettoyage plus long ou plus court que 3½ heures, utiliser les touches Heure et Minute pour régler le temps de nettoyage désiré. Appuyer sur les touches vers le haut (▲) ou vers le bas (▼) jusqu'à ce qu'un affichage entre 2½ et 4½ heures apparaisse.

- Utiliser 2½ heures pour des souillures légères.
- Utiliser 3½ à 4½ heures pour un four moyennement ou très souillé.

APPUYER SUR



AFFICHAGE



(exemple pour un programme de 4½ heures)

3. Appuyer sur DELAY START TIME.

APPUYER SUR



AFFICHAGE



4. Régler le temps de mise en marche.

Appuyer sur les touches vers le haut (▲) ou vers le bas (▼) jusqu'à ce que la durée correcte apparaisse sur l'affichage. Le four calculera automatiquement l'heure d'arrêt en ajoutant la durée de nettoyage réglée à l'heure de mise en marche réglée.

APPUYER SUR



AFFICHAGE



(exemple pour une mise en marche à 2 h 30)

5. Appuyer sur START/ENTER.

La porte se verrouillera dès que vous appuyez sur START/ENTER.

APPUYER SUR

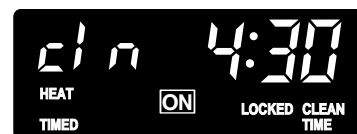


AFFICHAGE



6. Après la mise en marche du programme d'autonettoyage :

AFFICHAGE



RÉGLAGE DES COMMANDES (SUITE)

7. À la fin du programme d'autonettoyage :
LOCKED s'éteint et la porte se déverrouille.

REMARQUE : L'heure d'arrêt sera l'heure de mise en marche plus la durée de nettoyage.

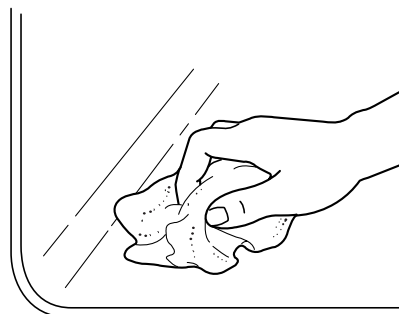
AFFICHAGE



8. Appuyer sur n'importe quelle touche ou ouvrir la porte pour effacer "End" et réafficher l'heure.

9. Lorsque le four a refroidi à la température de la pièce, essuyer tous les résidus ou les cendres avec un chiffon ou une éponge humide.

Au besoin, toucher les taches avec un nettoyant doux abrasif ou avec une éponge à nettoyer.



Pour arrêter le programme d'autonettoyage en tout temps :

Si la température du four est trop élevée pour la cuisson ou le rôtissage quand vous appuyez sur OFF/CANCEL, les mentions "cin", "TIMED", "ON", "cool" et "LOCKED" apparaîtront jusqu'à ce que le four se refroidisse.

APPUYER SUR



AFFICHAGE

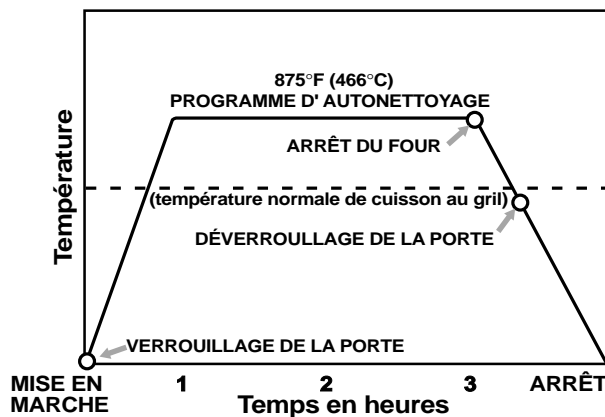


FONCTIONNEMENT DU PROGRAMME D'AUTONETTOYAGE

Le programme d'autonettoyage utilise une chaleur très intense qui élimine par combustion des souillures et traces de graisse. Lors de l'exécution du programme, le four devient beaucoup plus chaud que lors de la cuisson au four ou au gril. Cette température élevée provoque la décomposition et la combustion des souillures ou traces de graisse.

Le four est automatiquement préréglé pour un programme d'autonettoyage de 3½ heures.

Le graphique ci-contre illustre une opération normale d'autonettoyage de 3½ heures. Noter que le chauffage s'arrête une demi-heure avant la fin du réglage de 3½ heures.



ENTRETIEN DE LA CUISINIÈRE

⚠️ AVERTISSEMENT



Risque d'explosion

Ne jamais garder de matériaux combustibles telle que l'essence près de cet appareil.

Le non-respect de cette instruction peut causer un décès, une explosion ou un incendie.

TABLEAU DE NETTOYAGE

Avant de faire un nettoyage, toujours s'assurer que toutes les commandes sont éteintes et que la cuisinière est froide. Se référer aux instructions sur tous les produits de nettoyage avant de les utiliser pour nettoyer votre cuisinière.

PIÈCE	MÉTHODE DE NETTOYAGE	INSTRUCTIONS SPÉCIALES
Boutons de commande	<ul style="list-style-type: none"> • Savon et eau • Lave-vaisselle 	<ul style="list-style-type: none"> • NE PAS utiliser de laine d'acier ou de nettoyeurs abrasifs. • Tirer les boutons directement hors du tableau de commande. • Laver, rincer et sécher avec un chiffon doux.
Tableau de commande	<ul style="list-style-type: none"> • Savon et eau • Nettoyeur à vitre en atomiseur 	<ul style="list-style-type: none"> • Laver, rincer et sécher avec un chiffon doux. • Vaporiser le nettoyeur sur un essuie-tout en papier, ne pas vaporiser directement sur le tableau.
Surfaces extérieures* (sauf le tableau de commande et le verre de la porte du four)	<ul style="list-style-type: none"> • Savon et eau • Nettoyeur liquide doux • Nettoyeur à vitre en atomiseur • Tampon à récurer en plastique non abrasif 	<ul style="list-style-type: none"> • NE PAS utiliser de nettoyeur abrasif ou rude comme javellisant, ammoniac ou nettoyeur à four. • Laver, rincer et sécher avec un chiffon doux. • Nettoyer délicatement autour de la plaque signalétique des numéros de modèle et de série; un frottement excessif pourrait effacer les chiffres. • REMARQUE : Pour éviter les dommages au produit, ne pas enlever la table de cuisson.
Grilles et chapeaux des brûleurs de surface recouverts de porcelaine* <ul style="list-style-type: none"> • Saleté légère à modérée • Saleté carbonisée ou tenace 	<ul style="list-style-type: none"> • Savon et eau • Tampon à récurer en plastique non abrasif • Tampon à récurer en plastique non abrasif • Nettoyeur en poudre doux abrasif et eau 	<ul style="list-style-type: none"> • NE PAS laver au lave-vaisselle. • Nettoyer aussitôt qu'ils deviennent sales. • Laver, rincer et bien sécher. • Répéter les étapes de nettoyage (avec les articles à gauche) au besoin, jusqu'à l'enlèvement complet des souillures. • Rincer à fond et sécher. • REMARQUE : Ne pas remettre les chapeaux sur les brûleurs s'ils sont mouillés.

* Une fois la table de cuisson refroidie, enlever tout renversement et nettoyer. Les aliments renversés contenant des acides tels que vinaigre et tomate, risquent d'affecter le fini. Pour éviter d'écailler les grilles de porcelaine ne pas entrechoquer les grilles et chapeaux ni les frapper contre des surfaces dures telles que les ustensiles de cuisson en fonte.

TABLEAU DE NETTOYAGE (SUITE)

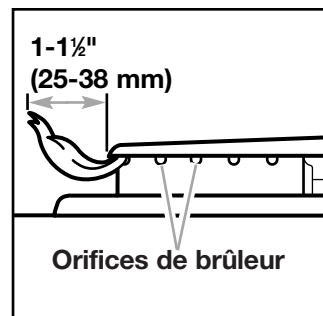
PIÈCE	MÉTHODE DE NETTOYAGE	INSTRUCTIONS SPÉCIALES
Brûleurs de surface		<ul style="list-style-type: none"> • Voir la section "Brûleurs de surface scellés" à la section "Entretien de la cuisinière".
Vitre de la porte du four	<ul style="list-style-type: none"> • Savon et eau • Tampon à récurer en plastique non abrasif • Nettoyant à vitre en atomiseur 	<ul style="list-style-type: none"> • Laver, rincer et sécher avec un chiffon doux. • Essuyer avec un essuie-tout en papier.
Cavité du four <ul style="list-style-type: none"> • Aliments renversés contenant du sucre et/ou du lait • Tous les autres renversements 	<ul style="list-style-type: none"> • Savon et eau • Programme d'autonettoyage 	<ul style="list-style-type: none"> • Lorsque le four refroidit, le laver, le rincer et le sécher avec un linge doux. Voir la section "Utilisation du programme d'autonettoyage". • Voir la section "Utilisation du programme d'autonettoyage".
Grilles du four	<ul style="list-style-type: none"> • Savon et eau • Tampon de laine d'acier • Programme d'autonettoyage 	<ul style="list-style-type: none"> • Laver, rincer et sécher. • Placer sur les guides de la 2^e et de la 4^e grille. Les grilles se décolorent et glisseront plus difficilement. Après le nettoyage, appliquer de l'huile végétale sur les guides des grilles pour faciliter le coulissement.
Lèchefrite et grille	<ul style="list-style-type: none"> • Savon et eau • Tampon de laine d'acier • Lave-vaisselle • Solution de 1/2 tasse (125 mL) d'ammoniaque à 1 gallon (3,8 L) d'eau • Nettoyant abrasif doux ou nettoyant de four commercial 	<ul style="list-style-type: none"> • Laver, rincer et sécher. • Faire tremper pendant 20 minutes puis récurer avec un tampon de plastique. • NE PAS nettoyer la lèchefrite et la grille au moyen du programme d'autonettoyage.

BRÛLEURS DE SURFACE SCELLÉS ET TABLE DE CUISSON

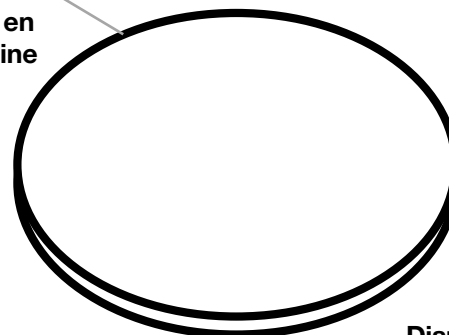
Nettoyage des brûleurs de surface

- On doit régulièrement enlever le chapeau du brûleur pour le nettoyer. Nettoyer toujours le chapeau du brûleur après un renversement de produits. Le fait de maintenir le chapeau propre empêche le mauvais allumage et une flamme inégale.
- Pour garantir le bon écoulement du gaz et un bon allumage de la flamme du brûleur, veiller à **ne pas laisser les produits alimentaires renverser et les agents de nettoyage ou autres produits pénétrer dans l'ouverture du tube d'arrivée du gaz ou dans les orifices des brûleurs.**
- Pour que la flamme s'allume convenablement, il faut que le gaz puisse passer librement à travers l'orifice. Il est essentiel que cette zone demeure exempte de saletés et soit protégée contre les renversements. **Toujours garder** le chapeau du brûleur en place lorsqu'un brûleur est utilisé.
- Laisser la table de cuisson se refroidir avant de la nettoyer.
- Ne pas utiliser de nettoyant à four, des produits chlorés ou des produits pour enlever la rouille.
- Ne pas entraver l'évacuation de gaz de combustion et l'air de ventilation autour des grilles des brûleurs.

- Examiner occasionnellement les flammes des brûleurs pour vérifier la taille et la forme des flammes. Une bonne flamme est bleue. Si les flammes ne brûlent pas dans tous les orifices, il peut être nécessaire de nettoyer les brûleurs.

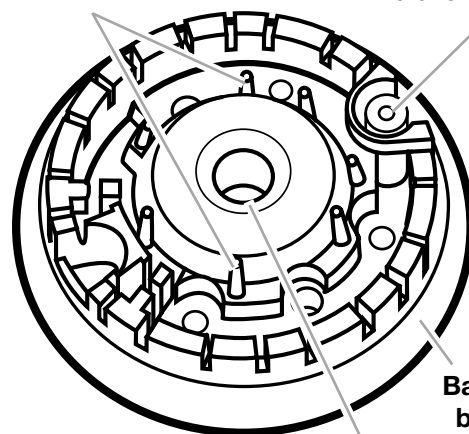


Chapeau de brûleur en porcelaine



Tige d'alignement

Dispositif d'allumage



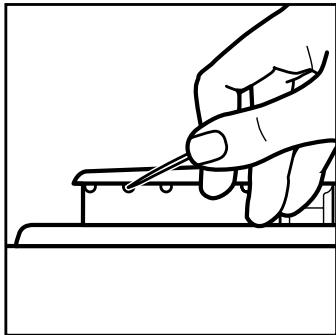
Base du brûleur

Ouverture du tube d'arrivée de gaz

BRÛLEURS DE SURFACE SCELLÉS ET TABLE DE CUISSON (SUITE)

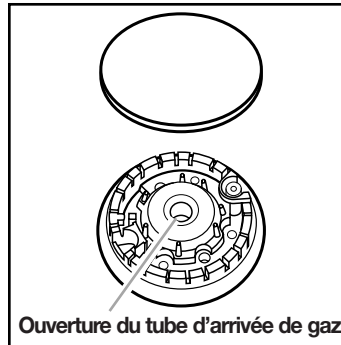
Nettoyage des brûleurs :

1. Soulever le chapeau du brûleur en ligne droite pour le séparer de la base.
2. Nettoyer le chapeau du brûleur avec de l'eau savonneuse tiède et une éponge. On peut également utiliser un tampon à récurer ou un produit à récurer légèrement abrasif. Ne pas nettoyer le chapeau du brûleur au lave-vaisselle.
3. En cas d'obstruction ou d'accumulation de saleté dans le tube d'arrivée de gaz, nettoyer la zone affectée avec un linge humide.
4. Si les orifices de sortie du gaz sont obstrués, les nettoyer avec une épingle droite. Ne pas agrandir ni déformer les orifices. Ne pas utiliser un cure-dents en bois. Si le brûleur a besoin d'être ajusté, faire venir un technicien qualifié pour l'entretien.



les nettoyer avec une épingle droite. Ne pas agrandir ni déformer les orifices. Ne pas utiliser un cure-dents en bois. Si le brûleur a besoin d'être ajusté, faire venir un technicien qualifié pour l'entretien.

5. Après le nettoyage du tube d'arrivée de gaz et des orifices, réinstaller le chapeau du brûleur. Pour réinstaller le chapeau du brûleur, s'assurer que les tiges d'alignement sur le chapeau du brûleur sont bien alignées avec la base du brûleur.



6. Allumer le brûleur pour s'assurer qu'il s'allume. Si le brûleur ne s'allume pas après avoir été nettoyé, vérifier l'alignement du chapeau ou contacter un technicien d'entretien désigné. Ne pas faire vous-même l'entretien d'un brûleur scellé.

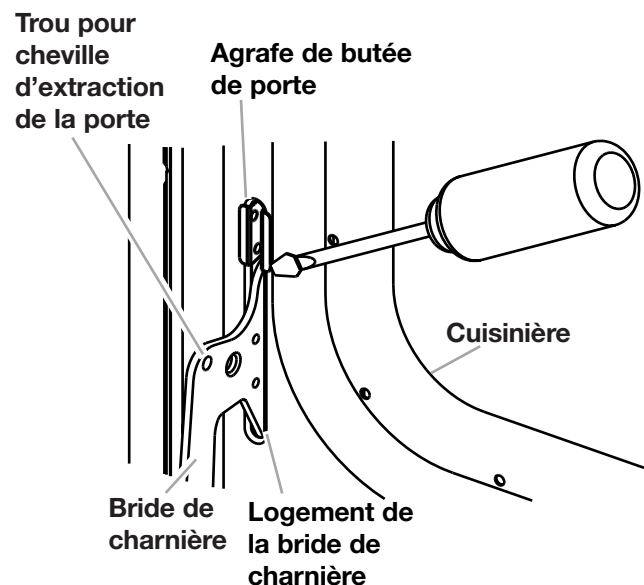
ENLÈVEMENT DE LA PORTE DU FOUR

Il n'est pas nécessaire d'enlever la porte du four pour l'utilisation normale. Cependant, s'il est nécessaire d'enlever la porte, procéder comme suit.

REMARQUE : La porte du four est lourde.

Avant d'enlever la porte :

1. Insérer la lame d'un tournevis ou d'un couteau à mastic au niveau de l'angle inférieur de l'agrafe de la butée de porte.
2. Extraire l'agrafe de butée de son logement. Veiller à ne pas endommager l'émailage.
3. Répéter ces opérations pour l'autre agrafe de la butée de porte.

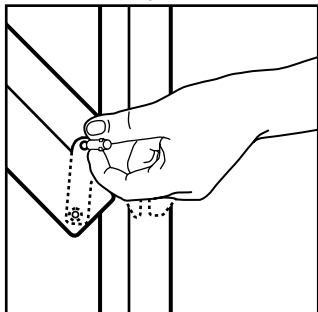


suite à la page suivante

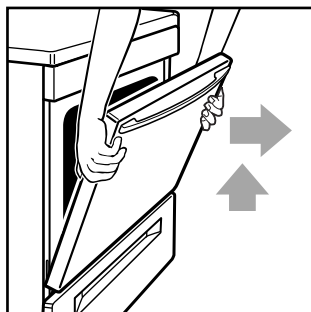
ENLÈVEMENT DE LA PORTE DU FOUR (SUITE)

Enlèvement :

1. Ouvrir la porte du four. Insérer les chevilles d'enlèvement de la porte incluses avec votre cuisinière, dans les deux brides de charnière. **Ne pas enlever les chevilles pendant que la porte est enlevée de la cuisinière.**



3. Saisir la porte des deux côtés avec vos doigts sur le devant de la porte et vos pouces sur la surface interne.

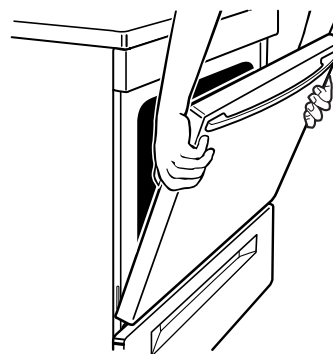


2. Fermer soigneusement la porte jusqu'à ce qu'elle repose contre les chevilles d'extraction de la porte.
4. Tirer la porte directement vers vous. Les brides de charnière glisseront de la fente de la charnière du châssis avant.

Réinstallation :

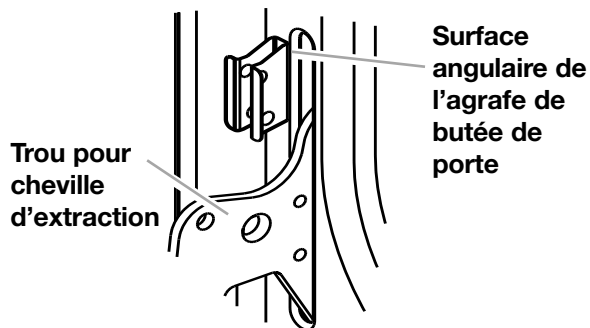
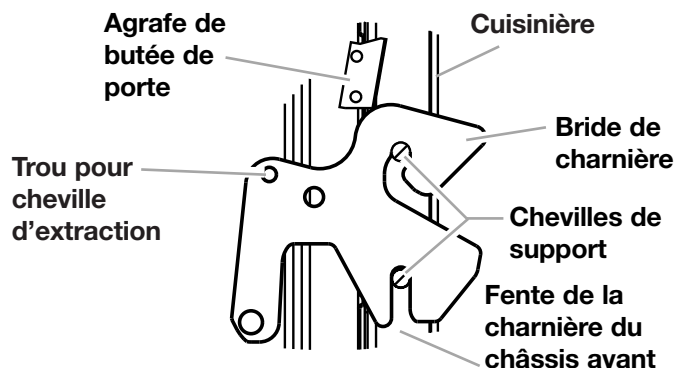
REMARQUE : Les chevilles d'enlèvement de la porte que vous avez insérées doivent être encore sur les deux charnières de la porte.

1. Saisir la porte sur le côté avec vos doigts sur le devant de la porte et vos pouces sur la surface interne.
2. Tenir la porte du four de telle manière que le bord supérieur de chaque bride de charnière soit horizontal. Insérer les brides de charnière dans leur logement, dans le châssis de la cuisinière.
3. Faire pivoter le sommet de la porte vers la cuisinière. Faire glisser des brides de charnière pour qu'elles prennent appui sur les chevilles de support.



REMARQUE : Veiller à ce que les brides de charnière soient bien en prise sur les chevilles de support.

4. Insérer les agrafes de butée de porte dans leur logement; veiller à placer la surface angulaire vers le sommet; bien enfoncer les agrafes dans leur logement, pour placer les rebords en affleurement avec le châssis de la cuisinière.
5. Ouvrir complètement la porte et enlever les chevilles utilisées pour l'extraction de la porte. Conserver les chevilles pour réutilisation future.
6. Fermer la porte.



LAMPE DU FOUR

La lampe du four s'allumera lorsqu'on ouvre la porte du four.

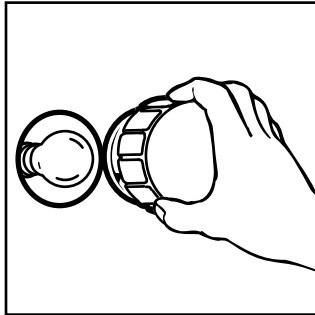
Pour allumer ou pour éteindre la lampe lorsque la porte du four est fermée :

- Appuyer sur manuelle de la lampe du four sur le dossier.



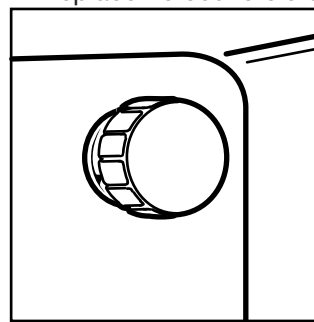
Pour remplacement des lampes de four :

1. Débrancher la cuisinière pour interrompre le courant électrique.
2. Ôter le couvercle de verre sur l'ampoule au fond du four en le dévissant dans le sens antihoraire.



3. Enlever l'ampoule d'éclairage de sa douille. Remplacer l'ampoule par une ampoule d'appareil ménager de 40 watts.

4. Replacer le couvercle de l'ampoule d'éclairage en le vissant dans le sens horaire.



5. Brancher la cuisinière pour rétablir le courant électrique.

REMARQUE : La lumière du four ne fonctionnera pas pendant le programme d'autonettoyage.

DÉPANNAGE

La plupart des problèmes de cuisson sont souvent causés par de petits détails que vous pouvez découvrir et réparer sans outils d'aucune sorte. Vérifier les listes ci-dessous et à la page suivante avant de faire un appel pour assistance ou service. Si vous avez encore besoin d'assistance, voir "Demande d'assistance ou de service" à la page 37.

LA CUISINIÈRE NE FONCTIONNE PAS

PROBLÈME	CAUSE
Rien ne fonctionne	<ul style="list-style-type: none">● La cuisinière n'est pas branchée dans une prise de courant bien reliée à la terre (120 V polarisée).● La cuisinière n'est pas bien connectée à un approvisionnement de gaz. Contacter un technicien de service désigné pour reconnecter la cuisinière à l'approvisionnement de gaz. (voir les Instructions d'installation).● Un fusible a grillé ou le disjoncteur s'est ouvert.

BRÛLEUR DU FOUR/GRIL

PROBLÈME	CAUSE
Le four ne fonctionne pas	<ul style="list-style-type: none">● Lors de l'utilisation initiale du four, il est nécessaire d'allumer d'abord les brûleurs de surface pour purger l'air de la canalisation de gaz.● Système de commande électronique incorrectement réglé. Consulter la section concernant la commande électronique du four.● Le robinet principal d'arrêt de gaz ou de réglage est à la position fermée. (Voir Instructions d'installation.)
Le brûleur fait un bruit sourd durant l'utilisation	<ul style="list-style-type: none">● Ceci est normal. Le bruit se produit lorsque le brûleur du four s'allume et s'éteint par intermittence pour maintenir une température adéquate.
Le brûleur ne s'allume pas	<ul style="list-style-type: none">● Le dispositif d'allumage est brisé. Contacter un technicien de service désigné pour le remplacer.● Un fusible a grillé ou le disjoncteur s'est ouvert.
Les flammes du brûleur se séparent des orifices, sont de teinte jaune ou bruyantes.	<ul style="list-style-type: none">● Le mélange air/gaz est incorrect. Contacter un technicien de service désigné pour vérifier le mélange air/gaz ou voir des instructions d'installation.

BRÛLEURS DE SURFACE

PROBLÈME	CAUSE
Le brûleur ne s'allume pas	<ul style="list-style-type: none"> ● Le bouton de commande n'est pas correctement réglé. Appuyer sur les boutons de commande avant de les tourner. S'assurer que le bouton de commande est tourné à la position LIGHT (Allumage). (Voir page 6.) ● Le fusible a grillé ou le disjoncteur s'est ouvert. ● Les orifices du brûleur sont obstrués. Les nettoyer avec une épingle droite. (Voir page 31.)
Les flammes du brûleur ne sont pas uniformes	<ul style="list-style-type: none"> ● Les orifices du brûleur sont obstrués. Les nettoyer avec une épingle droite. (Voir page 31.) ● Les chapeaux des brûleurs peuvent ne pas être bien positionnés. (Voir page 31.)
Les flammes du brûleur se séparent des orifices, sont de teinte jaune ou bruyantes lors de l'extinction	<ul style="list-style-type: none"> ● Le brûleur a besoin d'être nettoyé. (Voir pages 30 et 31.) ● Le mélange air/gaz est incorrect. Contacter un technicien de service désigné pour vérifier le mélange air/gaz ou voir les instructions d'installation.
Le brûleur fait un petit bruit d'explosion lorsqu'il est allumé	<ul style="list-style-type: none"> ● Le brûleur est resté mouillé après un lavage. Le laisser sécher.

LORS DE L'AUTONETTOYAGE DU FOUR

PROBLÈME	CAUSE
Le programme d'autonettoyage ne fonctionne pas	<ul style="list-style-type: none"> ● Vous n'avez pas appuyé sur START/ENTER. ● La porte n'est pas complètement fermée.

RÉSULTATS DE CUISSON

PROBLÈME	SOLUTION
Les ustensiles de cuisson ne sont pas d'aplomb sur la table de cuisson (vérifier pour voir si les liquides sont à niveau dans l'ustensile)	<ul style="list-style-type: none"> ● Placer la cuisinière d'aplomb. (Voir les Instructions d'installation.) ● Utiliser des ustensiles de cuisson avec un fond plat.
Chaleur excessive sur la table de cuisson autour des ustensiles de cuisson	<ul style="list-style-type: none"> ● Choisir un ustensile de cuisson de la même dimension ou légèrement plus grand que la flamme du brûleur.
La température du four semble trop basse ou trop élevée	<ul style="list-style-type: none"> ● Ajuster le réglage de température du four (Voir la section "Correction de la commande de température du four".)
Cuisson au four ou rôtissage lents	<ul style="list-style-type: none"> ● Augmenter le temps de cuisson au four ou de rôtissage. ● Augmenter la température de 25°F (14°C). ● Préchauffer le four à la température choisie avant de placer le mets lorsque le préchauffage est recommandé. ● Choisir des ustensiles de cuisson qui permettront 2 pouces (5 cm) d'espace d'air autour de tous les côtés. ● Ouvrir la porte du four pour vérifier l'aliment lorsque les signaux de la minuterie indiquent le temps le plus court suggéré dans la recette. ● La vérification en ouvrant la porte du four peut rendre le temps de cuisson plus long.
Aliments cuits trop bruns à la base	<ul style="list-style-type: none"> ● Préchauffer le four à la température choisie avant de placer l'aliment dans le four. ● Choisir des ustensiles de cuisson qui permettront 2 pouces (5 cm) d'espace d'air autour de chaque côté. ● Placer la grille plus haut dans le four. ● Diminuer la température du four de 15° à 25°F (8° à 14°C).
Aliments cuits inégalement	<ul style="list-style-type: none"> ● Placer la cuisinière d'aplomb. ● Faire cuire au centre du four avec 2 pouces (5 cm) d'espace autour de chaque ustensile. ● Vérifier pour s'assurer que le mélange est à niveau sur la lèchefrite.
Le bord de la croûte brunit avant que la tarte soit cuite	<ul style="list-style-type: none"> ● Protéger le bord avec du papier d'aluminium.

MESSAGES AFFICHÉS

PROBLÈME	CAUSE
L'afficheur montre "PF"	<ul style="list-style-type: none"> ● Une panne d'électricité est survenue. Appuyer sur OFF/CANCEL pour effacer l'affichage, ensuite régler de nouveau l'horloge au besoin. (Voir page 11.)
"F" suivi par un chiffre apparaît sur l'afficheur	<ul style="list-style-type: none"> ● Appuyer sur OFF/CANCEL pour effacer l'affichage. Si le code "F" apparaît de nouveau, faire un appel de service. (Voir "Si vous avez besoin d'assistance ou de service" à la page 37.)

Si aucune de ces situations ne cause votre problème, voir "Demande d'assistance ou de service" à la page 37.

DEMANDE D'ASSISTANCE OU DE SERVICE

Pour éviter des visites de service inutiles, vérifiez la section "Dépannage" de votre Guide d'utilisation et d'entretien. Cette vérification peut vous faire économiser le coût d'une visite de réparation. Si vous avez encore besoin d'aide, suivre les instructions ci-dessous.

1. Si le problème n'est pas attribuable à l'une des causes indiquées à la section "Dépannage" de votre Guide d'utilisation et d'entretien†...

Téléphoner au Centre d'assistance aux consommateurs Inglis Limitée en composant le numéro d'appel sans frais de n'importe où :

1-800-461-5681
De 8 h 30 à 18 h (HNE)

L'un de nos consultants spécialisés peut vous renseigner sur la façon d'obtenir un fonctionnement satisfaisant de votre appareil ménager ou, si un service est nécessaire, recommander une compagnie de service qualifiée dans votre région.

Si vous le préférez, écrire à :

Service des relations avec la clientèle
Inglis Limitée
1901 Minnesota Court
Mississauga, Ontario L5N 3A7

Veuillez indiquer dans votre correspondance un numéro de téléphone où l'on peut vous joindre le jour.

2. Si vous avez besoin de service†...

Communiquer avec le service d'appareils ménagers Inglis Limitée de n'importe où au Canada au **1-800-807-6777**.

3. **Si vous avez besoin de pièces de rechange FSP®...**

FSP® est la marque de commerce déposée de Whirlpool Corporation pour des pièces de qualité. Recherchez ce symbole de qualité chaque fois que vous avez besoin d'une pièce de rechange pour votre appareil ménager. Les pièces de rechange FSP conviendront bien et fonctionneront bien parce qu'elles sont fabriquées selon les mêmes spécifications précises utilisées pour construire chaque appareil Inglis.

Pour localiser des pièces de rechange FSP dans votre région, voir l'étape 2 ou téléphoner au numéro du Centre d'assistance aux consommateurs (voir étape 1).

† Lors d'une demande d'aide ou de service : Veuillez fournir une description détaillée du problème, le numéro au complet de modèle et de série de votre appareil ménager, et la date d'achat. (Voir la section "Note à l'utilisateur" de votre Guide d'utilisation et d'entretien.) Ces renseignements nous aideront à mieux répondre à votre demande.

INDEX

SUJET	PAGE	SUJET	PAGE
ASSISTANCE	37	GARANTIE	40
AUTONETTOYAGE		GRILLES	8
Avant de commencer	24	LAMPE DU FOUR	33
Arrêt du programme	27	NETTOYAGE	
Conseils	24	Boutons de commande	28
Fonctionnement du programme	27	Brûleurs de surface	30, 31
Mise en marche différée	26	Cavité du four	29
Mise en marche immédiate	25	Grilles du four	29
Réglage des commandes	25	Grilles et chapeaux des brûleurs de surface	28
BRIDE ANTIBASCULEMENT	3	Lèchefrite et grille	29
BRÛLEURS DE SURFACE		Programme d'autonettoyage	24
Boutons de commande	6	Surfaces extérieures	28
Brûleur POWER™	6	Tableau de commande	28
Conseils	6	Vitres de la porte du four	29
Panne d'électricité	7	NUMÉROS DE MODÈLE ET DE SÉRIE	2
Réglage ACCUSIMMER™	6	PIÈCES	5
Réglages de chaleur des brûleurs	6	PLATS	7, 8
Témoins lumineux des brûleurs	5	PORTE DU FOUR	31, 32
CARACTÉRISTIQUES	5	RÉGLAGE MEALTIMER™	
COMMANDE ÉLECTRONIQUE DU FOUR		Mise en marche différée	20-22
Afficheur/Horloge	10	Mise en marche immédiate	19
Annulation	12	RÔTISSAGE	
Commande de verrouillage	10	Conseils	13
Horloge	11	Grilles	8
Minuterie	11, 12	Programmes des réglages	13
Mise en marche	12	Ustensiles de cuisson	8
Signaux sonores	13	SÉCURITÉ	3, 4
CUISSON AU FOUR		SERVICE	37
Conseils	14	TABLEAU DE COMMANDE	
Grilles	8	Boutons de commande	6
Papier d'aluminium	9	Réglage de chaleur des brûleurs	6
Plats	8	Témoins lumineux des brûleurs de surface	5
Programme des réglages	13	TEMPÉRATURE DU FOUR	
Préchauffage	14	Modification	15
Système ACCUBAKE®	13, 14	Réglages	13, 16
Ustensiles de cuisson	9	TIROIR DE REMISAGE	23
CUISSON AU GRIL		USTENSILES DE CUISSON	
Directives	17, 18	Conseils	7
Grille	17	Conserves	7
Programme des réglages	16	Matériaux	7
Ustensiles de cuisson	16		
DÉPANNAGE	34, 35, 36		
ÉVÈNT DU FOUR	22		

GARANTIE

CUISINIÈRE À GAZ WHIRLPOOL GOLD™

DURÉE DE LA GARANTIE :	WHIRLPOOL CORPORATION ET INGLIS LIMITÉE PAIERA POUR :
GARANTIE COMPLÈTE DE UN AN À COMPTER DE LA DATE D'ACHAT	Les pièces de rechange FSP® et la main-d'oeuvre pour la correction des vices de matériau ou de fabrication. Les réparations doivent être effectuées par un établissement de service désigné par Whirlpool.
WHIRLPOOL CORPORATION ET INGLIS LIMITÉE NE PAIERA PAS POUR :	
<p>A. Visites d'un dépanneur pour :</p> <ol style="list-style-type: none"> 1. Rectifier l'installation de la cuisinière. 2. Donner des instructions concernant l'utilisation de la cuisinière. 3. Remplacer les fusibles ou rectifier le câblage ou la plomberie de la maison. 4. Remplacer les ampoules accessibles au propriétaire. 5. Rectifier la plomberie du domicile. <p>B. Réparations de dommages lorsque la cuisinière est utilisée à des fins autres que l'usage normal dans une maison unifamiliale.</p> <p>C. Frais de transport pour prendre et livrer la cuisinière. La cuisinière est conçue pour être réparée à domicile.</p> <p>D. Dommages à la cuisinière imputables à : accident, modification usage impropre, abus, incendie, inondation, actes de Dieu, ou utilisation non approuvée par Whirlpool Corporation ou Inglis Limitée.</p> <p>E. Réparations aux pièces ou systèmes imputables à des modifications non autorisées effectuées sur l'appareil.</p> <p>F. Les frais de voyage ou de transport pour les clients qui habitent dans des régions éloignées.</p> <p>G. Les pièces de rechange ou les coûts de réparation pour les appareils utilisés à l'extérieur du Canada.</p>	

12/99

WHIRLPOOL CORPORATION ET INGLIS LIMITÉE N'ASSUME AUCUNE RESPONSABILITÉ AU TITRE DES DOMMAGES SECONDAIRES OU INDIRECTS. Certaines provinces ne permettent pas l'exclusion ou la limitation des dommages secondaires ou indirects de sorte que cette exclusion ou limitation peut ne pas s'appliquer à votre cas. Cette garantie vous donne des droits juridiques spécifiques et vous pouvez également jouir d'autres droits qui peuvent varier d'une province à une autre.

À l'extérieur du Canada, cette garantie ne s'applique pas. Contacter votre marchand Whirlpool autorisé pour déterminer si une autre garantie s'applique.

Si vous avez besoin de service, consulter d'abord la section "Demande d'assistance ou de service" à la page précédente. Après avoir vérifié cette section, vous pouvez recevoir de l'aide supplémentaire en téléphonant à votre compagnie de service d'appareils ménagers Inglis Limitée, au **1-800-807-6777**.